

## DC-10 GHz 2 Way Power Divider

Part Number: AM0-10000PD2-959

### Electrical Specifications

Frequency Range: DC-10 GHz  
Insertion Loss: 6.8 dB Max.  
Amplitude Balance: 0.3 dB Max.  
Phase Balance: 5° Max.  
VSWR: 1.40:1 Max.  
Input Power: 1 Watt Max..

### Mechanical

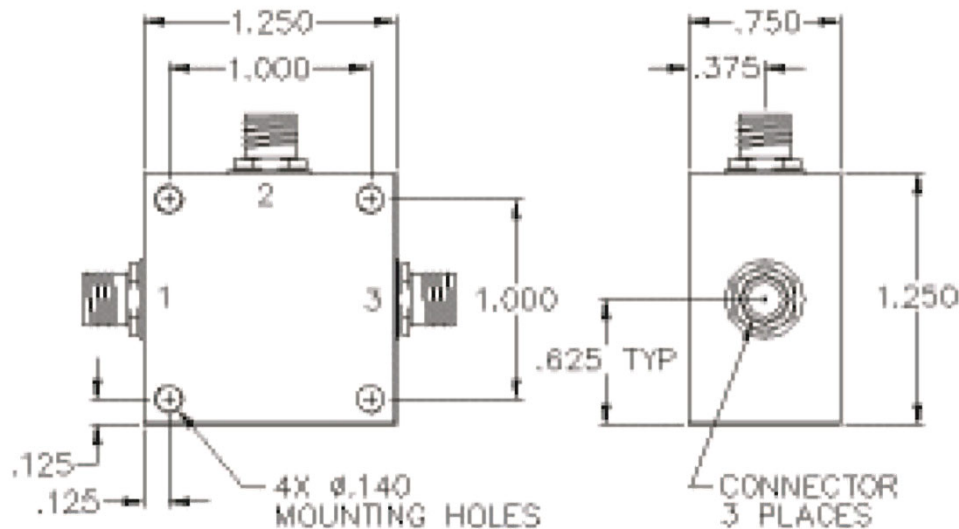
**Mounting Method:** Threaded Mounting Holes  
**Connector Type:** SMA  
**Dimensions:** 1.250 x 1.250 x 0.750 in.

### Environmental

**Operating Temperature:** -40 to +85°C  
**Storage Temperature:** -55 to +95°C  
Shock: 20 G. 11ms  
Vibration: 20 G. 5 to 200 MHz

\*Available with BNC, TNC, F, or N connectors

### Outline Drawing:



### Port Configuration

Input: 2

Outputs: 1, 3