

Electrical Specifications

Frequency Range: DC-4.0 GHz
Insertion Loss : 18 dB nominal
Isolation: 17 dB min
Input Return Loss: 18 dB min
Amplitude Balance: +/-0.2 dB
Phase Balance: +/-5° Min.
Power: 1 Watt

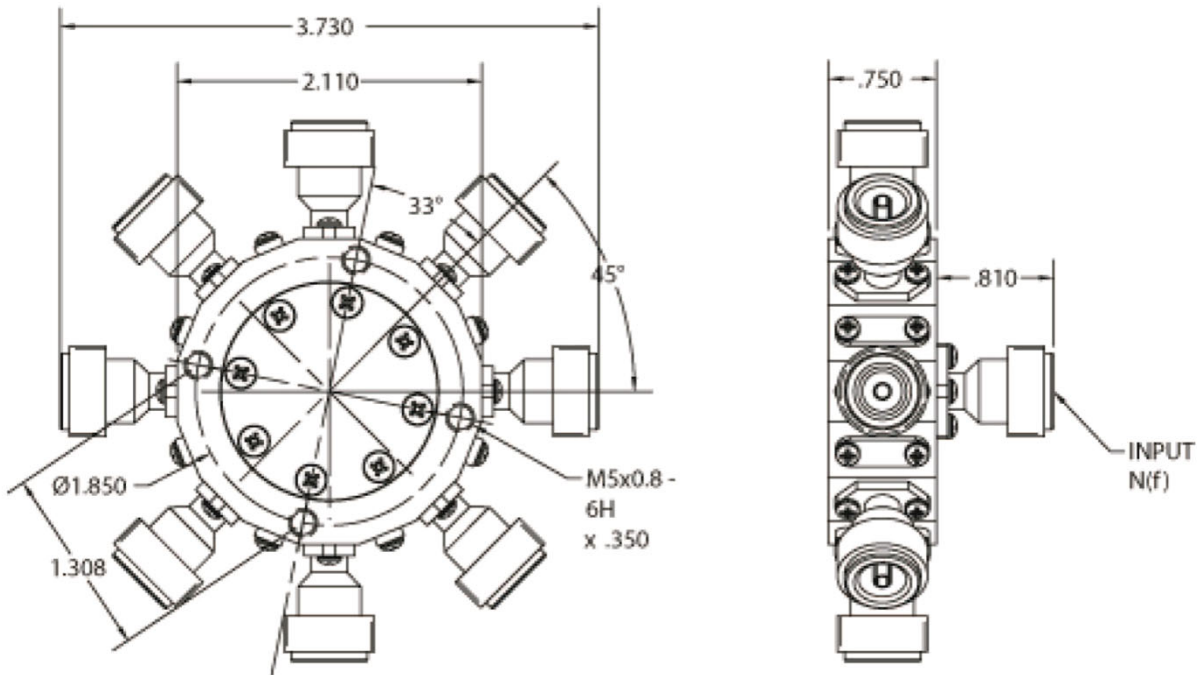
Mechanical

Connector Type: N-Type (F)
Dimensions: 3.730 x 1.308 x 0.750 in.

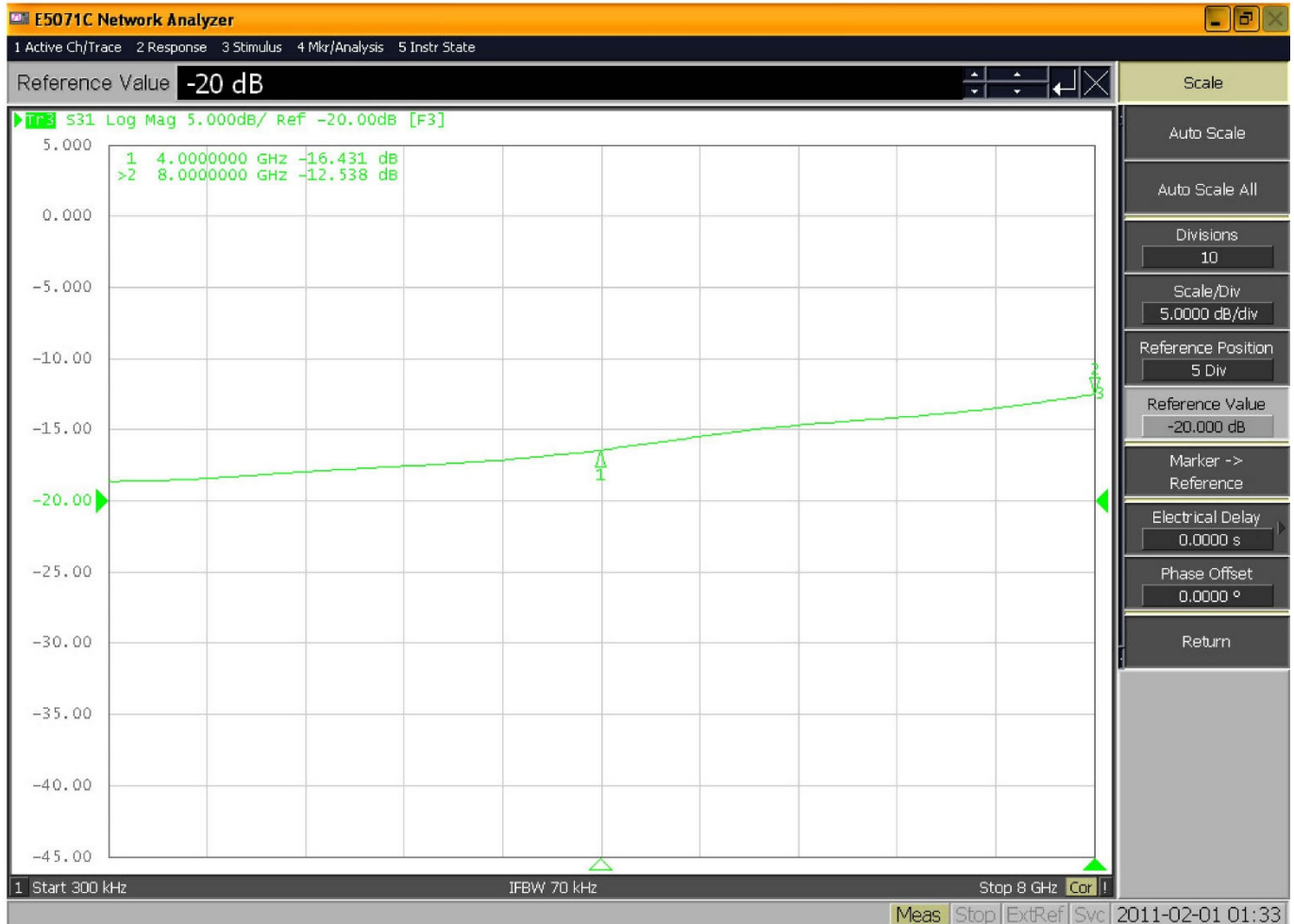
Environmental

Operating Temperature: -40 to +80°C
Storage Temperature: -55 to +120°C
Shock: 20 G. 11 ms.
Vibration: 20 G. 5 to 200 Hz.

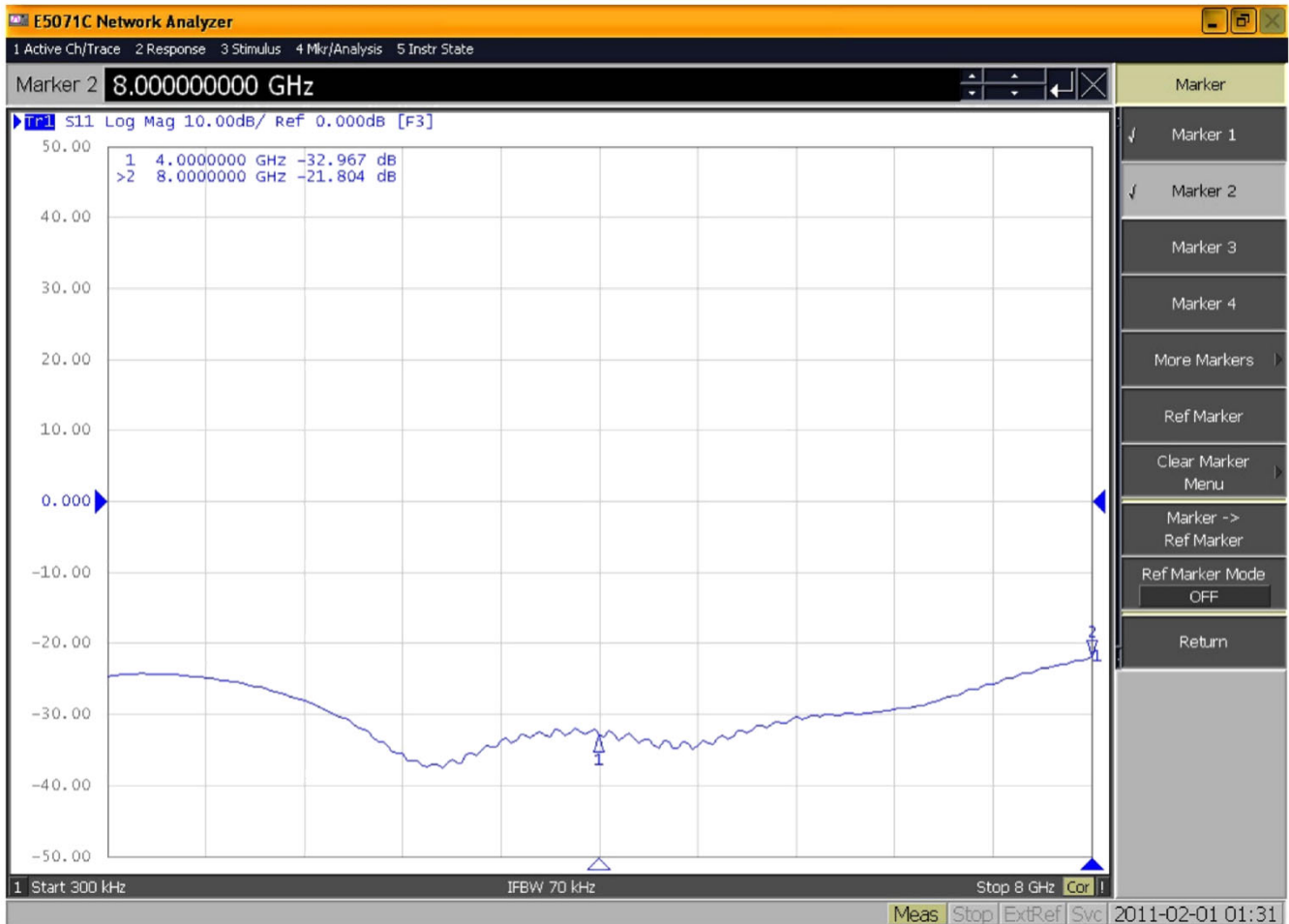
Outline Drawing:



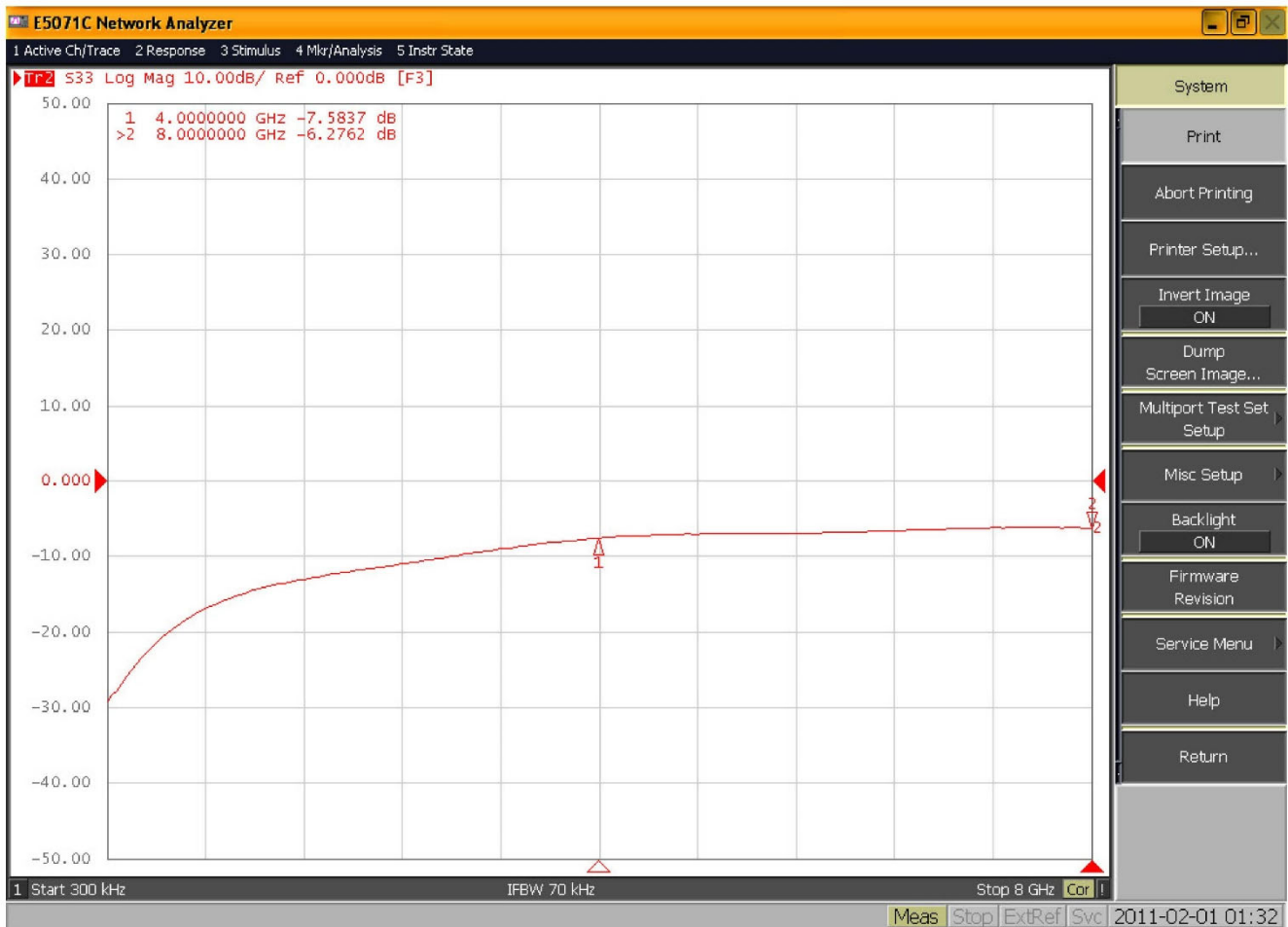
Insertion Loss:



Input Return Loss:



Output Return Loss:



Isolation:

