

**Electrical specifications**

**Frequency range:** 0.01-60 MHz

**Return loss:** 18 dB

**Insertion loss:** 0.8 dB max

**Amplitude Balance:** 0.2 dB max

**Phase Balance:** 2.0° max

**Isolation:** 20 dB min

**Input Power:** 1 Watt max

**Mechanical**

**Mounting Method:** Mounting Holes

**Connector Type:** N

**Dimensions:** 4.00 x 2.15 x 1.00 in

**Environmental**

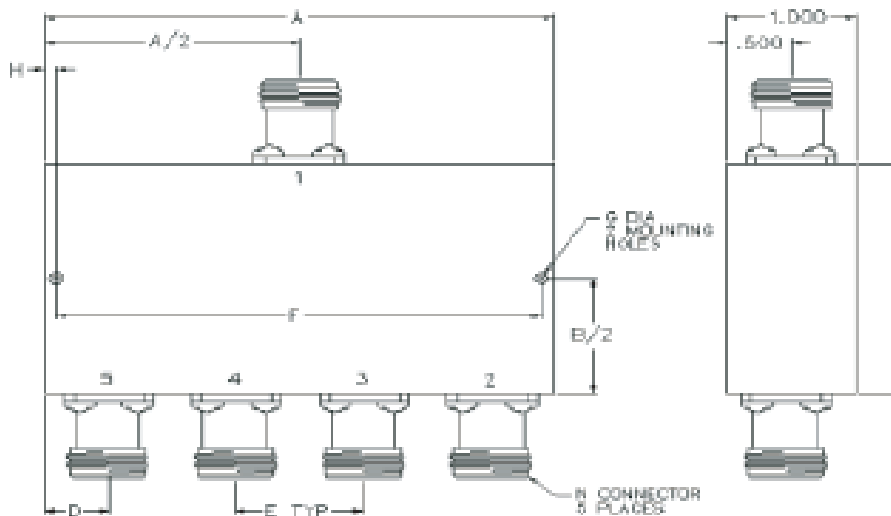
**Operating Temperature:** -40°C to +85°C

**Storage Temperature:** -55°C to +125°C

**Shock:** 20 G. 11 ms

**Vibration:** 20 G. 5 to 200 Hz

**Outline Drawing:**



**Dimensions**

A: 4.00	B: 2.15
C: 1.00	D: .50
E: 1.00	F: 3.60
G: .125	H: .200