

0.1-100 MHz 4 Way Power Divider

Part Number: AM0R1-100PD4-1164

Electrical Specifications

Frequency range: 0.1-100 MHz
Return loss: 18 dB
Insertion loss: 0.8 dB max
Amplitude Balance: 0.2 dB max
Phase Balance: 2° max
Isolation: 25 dB max
Input Power: 1 Watt max

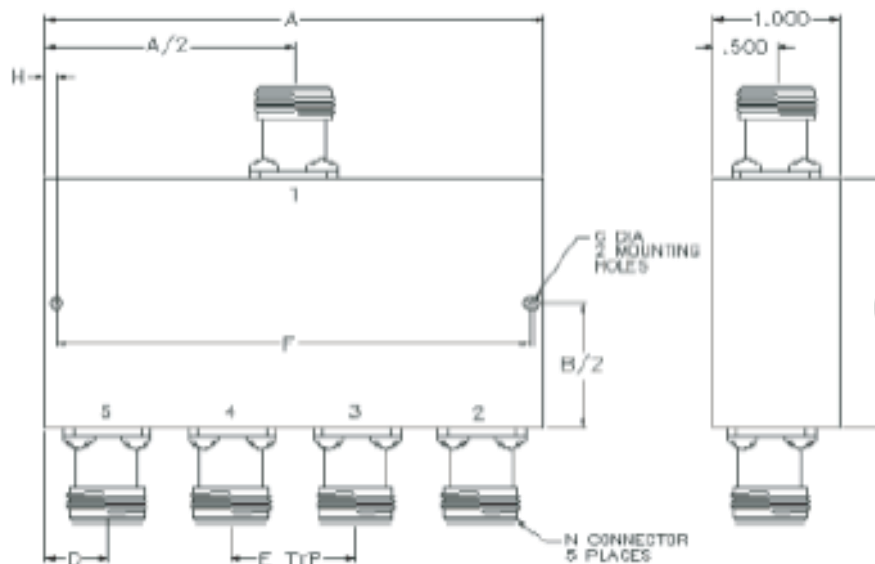
Mechanical

Mounting Method: Mounting Holes
Connector Type: N-Type
Dimensions: 4.00 x 2.15 x 1.00 in

Environmental

Operating Temperature: -40°C to +85°C
Storage Temperature: -55°C to +125°C
Shock: 20 G. 11 ms.
Vibration: 20 G. 5 to 200 Hz

Outline Drawing:



Dimensions

A: 4.00	B: 2.15
C: 1.00	D: .50
E: 1.00	F: 3.60
G: .125	H: .200