

## 0.25-0.50 GHz 2 Way Power Divider

Part Number: **AM0R25-0R50PD2-914**

### Electrical Specifications

**Frequency Range:** 0.25-0.50 GHz

**Insertion Loss:** 0.2 dB Max.

**Isolation:** 22 dB Min.

**Amplitude Balance:** 0.2 dB Max.

**Phase Balance:** 2° Max.

**VSWR:** 1.20:1 Max.

**Power Rating:** 30 Watts Max.

### Mechanical

**Mounting Method:** Threaded Mounting Holes

**Connector Type:** N-Type

**Dimensions:** 2.10 x 2.10 x 1.00 in.

### Environmental

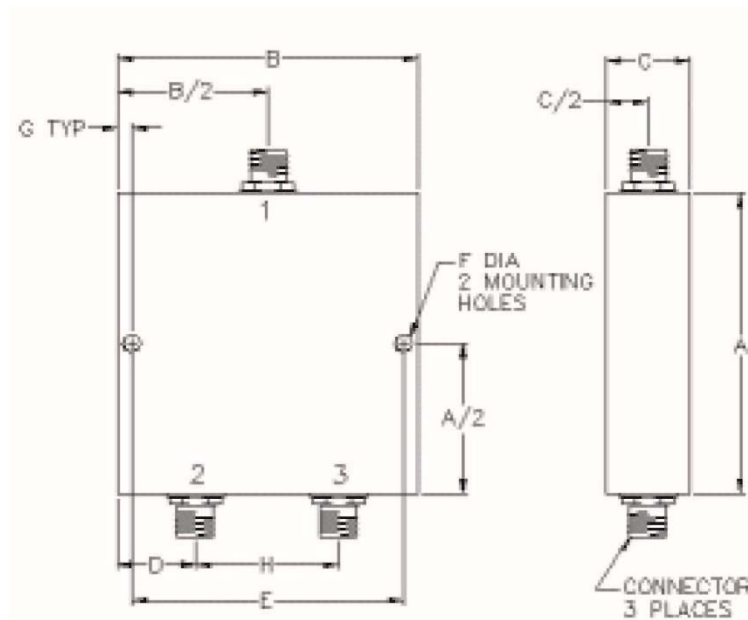
**Operating Temperature:** -40 to +85°C

**Storage Temperature:** -55 to +125°C

**Shock:** 20 G. 11 ms.

**Vibration:** 20 G. 5 to 200 Hz.

### Outline Drawing:



A: 2.10	B: 2.10
C: 1.00	D: 0.55
E: 1.90	F: .125
G: 0.10	H: 1.00