

**Electrical Specifications**

**Frequency Range:** 0.4-1.0 GHz  
**Insertion Loss:** 0.4 dB Max.  
**Isolation:** 18 dB Min.  
**Amplitude Balance:** 0.2 dB Max.  
**Phase Balance:** 2° Max.  
**VSWR:** 1.30:1 Max.  
**Power Rating:** 1 Watt Max.

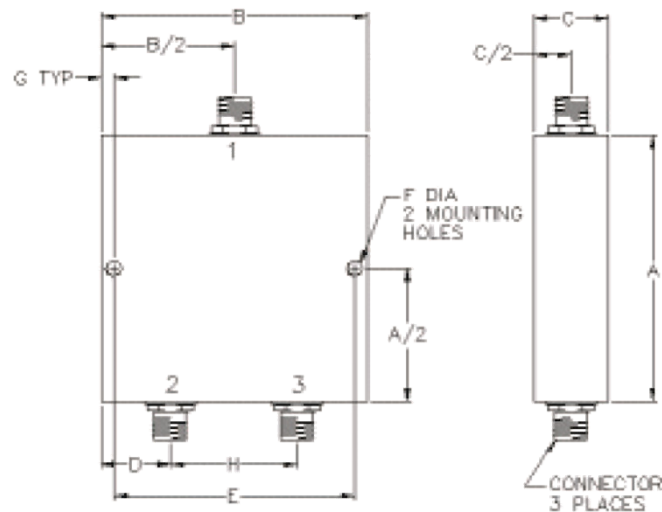
**Mechanical**

**Mounting Method:** Threaded Mounting Holes  
**Connector Type:** N-Type  
**Dimensions:** 2.10 x 2.10 x 1.00 in.

**Environmental**

**Operating Temperature:** -40 to +85°C  
**Storage Temperature:** -55 to +125°C  
**Shock:** 20 G. 11 ms.  
**Vibration:** 20 G. 5 to 200 Hz.

**Outline Drawing:**



A: 2.10	B: 2.10
C: 1.00	D: 0.55
E: 1.90	F: .125
G: 0.10	H: 1.00