

Electrical Specifications

Frequency Range: 0.5-100MHz
Coupling: 30 dB+/-0.5
Mainline Loss: 0.4dBMax.
Coupling Flatness: +/-0.25dBMax.
Directivity: 20 dB
VSWR, In/Out: 1.20:1 max
Input Power: 3 Watts Max

Mechanical

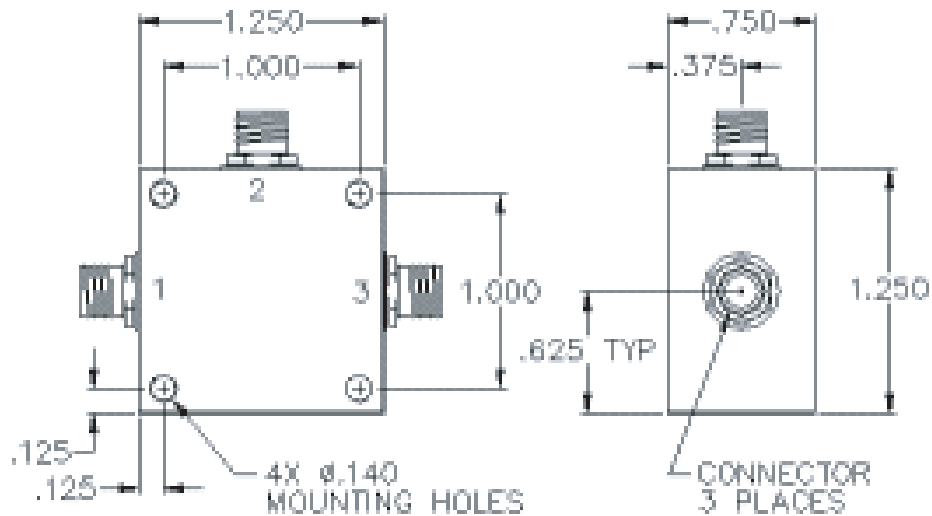
Connector Type: SMA (F)
Dimensions: 0.750 x 1.250 x 1.250 in.

Environmental

Operating Temperature: -40 to 85° C
Storage Temperature: -55 to +100° C

Note: Also available with BNC, TNC, F, and N Connectors

Outline Drawing:



Input:1
Output:3
Coupled:2
Ground: Housing