

Electrical Specifications

Frequency range: 0.5-100 MHz
Return loss: 18 dB
Insertion loss: 0.5 dB max
Amplitude Balance: 0.2 dB max
Phase Balance: 2° max
Isolation: 30 dB min
Input Power: 1 Watt max

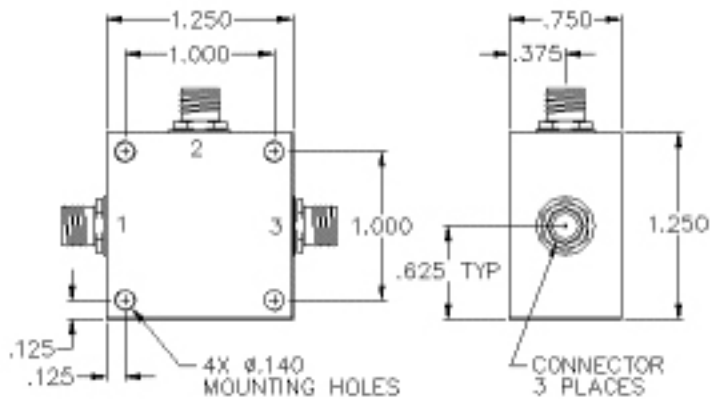
Mechanical

Mounting Method: Mounting Holes
Connector Type: SMA (F)
Dimensions: 1.250 x 1.250 x 0.750 in

Environmental

Operating Temperature: -40°C to 85°C
Storage Temperature: -55C to +125C
Shock: 20 G 11 ms
Vibration: 20 G 5 to 200 Hz

Outline Drawing:



Port Configuration

Input : 2

Outputs:1, 3