

Electrical Specifications

Frequency range: 1-200 MHz

Insertion loss: 0.5 dB Max.

Isolation: 25 dB Min.

Amplitude Balance: 0.2 dB Max.

Phase Balance: 2° Max.

VSWR: 1.30:1 Max.

Power Rating: 1 Watt Max.

Mechanical

Mounting Method: Mounting Holes

Dimensions: 1.250 x 1.250 x 0.750 in.

Environmental

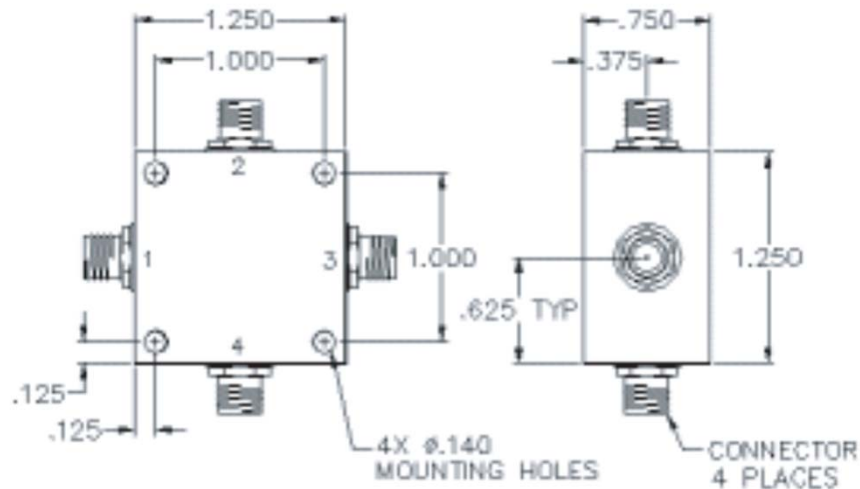
Operating Temperature: -40 to +85°C

Storage Temperature: -55 to +125°C

Shock: 20 G. 11 ms.

Vibration: 20 G. 5 to 200 Hz.

Outline Drawing:



Port Configuration
Input : 1
Outputs:2, 3, 4
Ground: Housing