

**Electrical Specifications**

**Frequency Range:** 1-20 MHz

**Coupling:** 6.5dB+/-0.5

**Insertion Loss:** 2.2dBMax.

**Coupling Flatness:** 0.25+/-dB Max.

**Directivity:** 30 dB Min.

**VSWR:** 1.20:1 max

**Input Power:** 1 Watt Max.

**Mechanical**

**Connector Type:** BNC

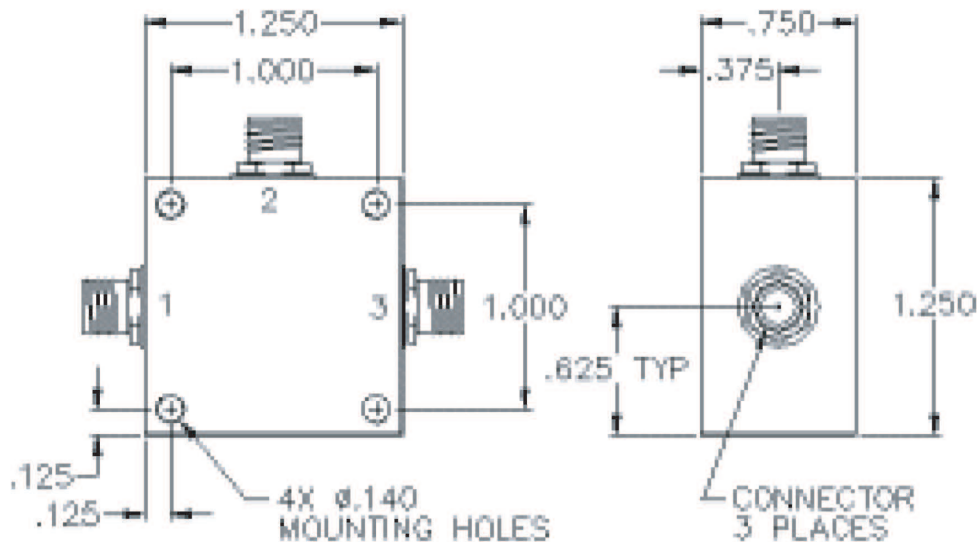
**Dimensions:** 1.25 x 1.24 x 0.75 in.

**Environmental**

**Operating Temperature:** -45°C to +85°C

**Storage Temperature:** -55°C to +100°C

**Outline Drawing:**



Input: 1  
Output: 3  
Coupled: 2 Ground:  
Housing