

**Electrical Specifications**

**Frequency Range:** 10-1000 MHz  
**Insertion Loss:** 1.2 dB Max.  
**Isolation:** 22 dB Min.  
**Amplitude Balance:** 0.3 dB Max.  
**Phase Balance:** 4° Max.  
**VSWR:** 1.50:1 Max.  
**Power Rating:** 1 Watts Max.

**Mechanical**

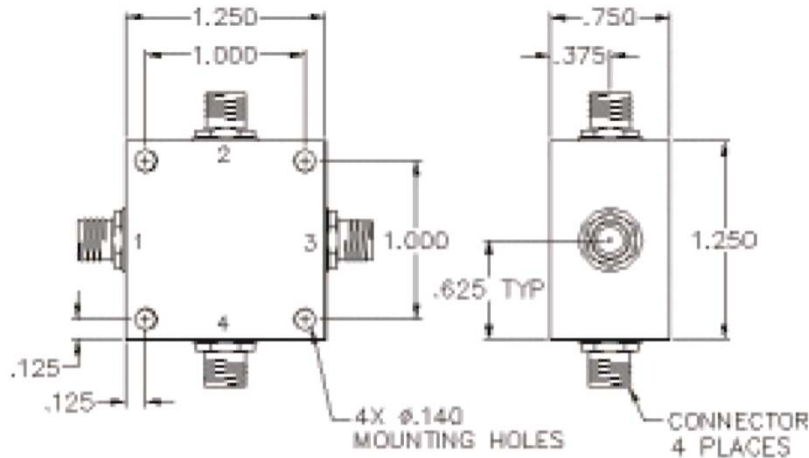
**Mounting Method:** Threaded Mounting Holes  
**Connector Type:** SMA  
**Dimensions:** 1.250 x 1.250 x 0.750 in.

**Environmental**

**Operating Temperature:** -40 to +85°C  
**Storage Temperature:** -55 to +125°C  
**Shock:** 20 G. 11 ms.  
**Vibration:** 20 G. 5 to 200 Hz.

Note: Available with BNC, TNC, F, and N connectors

**Outline Drawing:**



Port Configuration  
Input: 1  
Outputs: 2, 3, 4  
Ground: Housing