

100-1000 MHz 3 Way Power Divider

Part Number: AM100-1000PD3-1098

Electrical Specifications

Frequency Range: 100-1000 MHz
Insertion Loss: 1 dB Max.
Isolation: 23 dB Min.
Amplitude Balance: 0.3 dB Max.
Phase Balance: 4° Max.
VSWR: 1.50:1 Max.
Power Rating: 1 Watt Max.

Mechanical

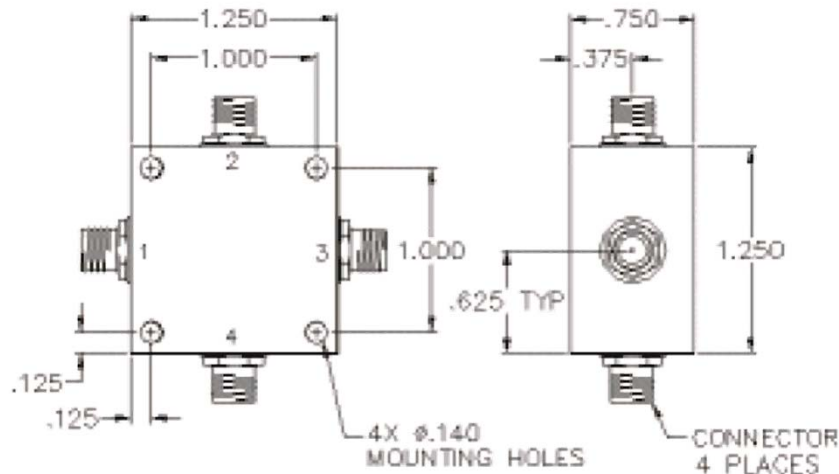
Mounting Method: Threaded Mounting Holes
Connector Type: SMA
Dimensions: 1.250 x 1.250 x 0.750 in.

Environmental

Operating Temperature: -40 to +85°C
Storage Temperature: -55 to +125°C
Shock: 20 G. 11 ms.
Vibration: 20 G. 5 to 200 Hz.

Note: Available with BNC, TNC, F, and N connectors

Outline Drawing:



Port Configuration
Input: 1
Outputs: 2, 3, 4
Ground: Housing