

1.0-2.0 GHz 2 Way Power Divider

Part Number: AM1000-2000PD2-924

Electrical Specifications

Frequency Range: 1.0-2.0 GHz
Insertion Loss: 0.3 dB Max.
Amplitude Balance: 0.2 dB Max.
Isolation: 22 dB Min.
VSWR: 1.30:1 Max.
Power Handling: 30 Watts Max.

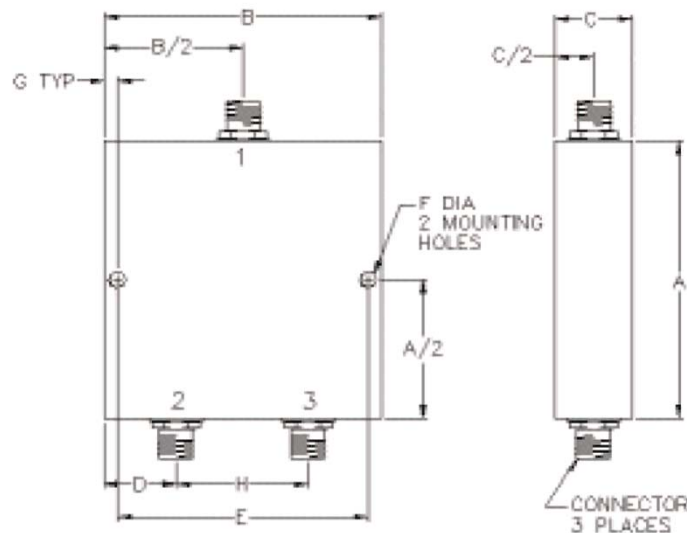
Mechanical

Mounting Method: Threaded Mounting Holes
Connector Type: N-Type
Dimensions: 2.00 x 1.25 x 1.00 in.

Environmental

Operating Temperature: -40 to +85°C
Storage Temperature: -55 to +125°C
Shock: 20 G. 11 ms.
Vibration: 20 G. 5 to 200 Hz.

Outline Drawing:



A: 1.25	B: 2.00
C: 1.00	D: 0.50
E: 1.75	F: 0.125
G: 0.125	H: 1.00