



ANATECH ELECTRONICS, INC.

Manufacturer of RF & Microwave Filters and Products

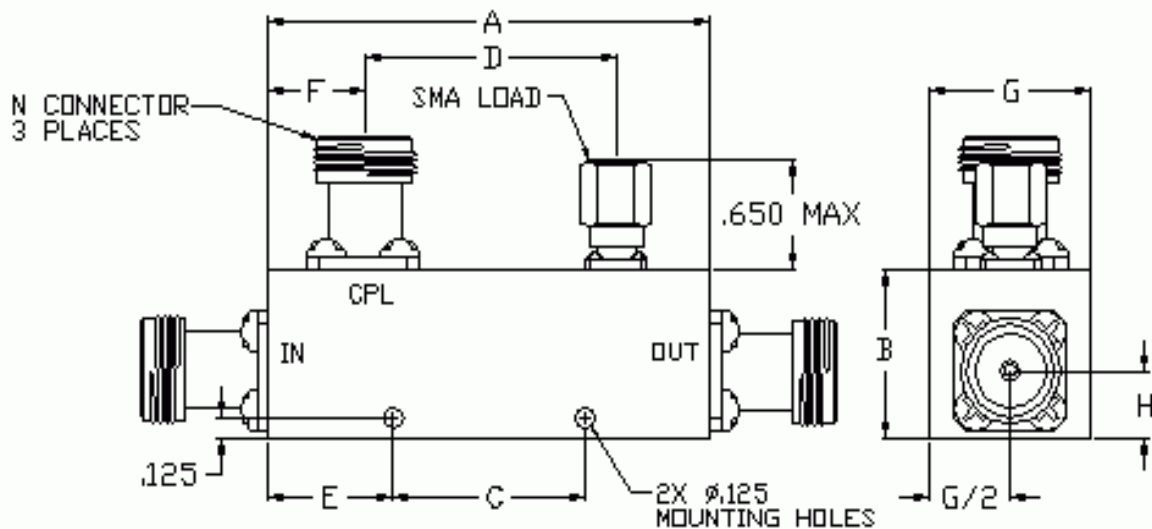


9-12 GHz Directional Coupler

Part Number: AM10500DC872

Frequency Range: 9-12 GHz
Coupling: 50 dB
Directivity: 15 dB Min.
Average Power: 150 Watts
Connector Type: N-Type (F)

Outline Drawing:



A: 1.50	B: 1.00
C: 0.75	D: 0.65
E: 0.38	F: 0.45
G: 1.00	H: 0.50