



## 800-2170 MHz 30dB Dual Directional Coupler

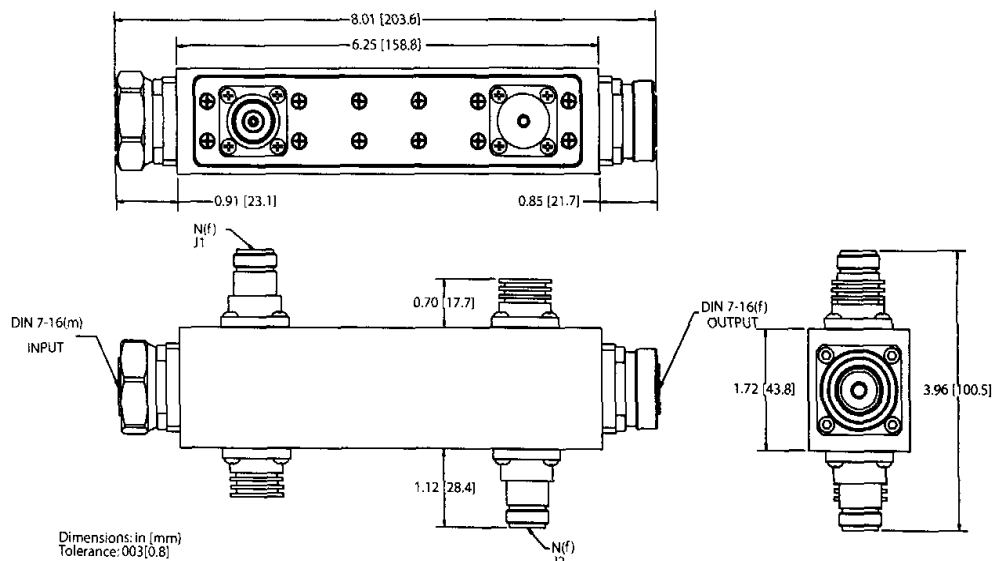
P/N: AM1485DC854

Frequency range	800 - 2170 MHz	
Coupling Value	30 dB +/- 0.75 dB	
Directivity	TYP	MIN
	30 dB	25 dB
Insertion Loss	TYP	MAX
	800 MHz	0.03 dB
	2170 MHz	0.05 dB
VSWR and (Return Loss)	TYP	MIN
	Input and Output	1.07 (30 dB)
Coupled Port	1.15 (23 dB)	1.3 (17.7 dB)
Impedance	50 -	
Intermodulation IM3 (2 x 43 dBm carrier)	< -155 dBc	
Max. Power	500 W Avg, 3KW Peak	
Termination Max. Power	3 W Avg	
Connectors	7-16 DIN male/female and N female, fange with O-ring	
Material:	Aluminum, Conversion Coating	
Housing	Brass, Silver Plated	
Inner Conductor & Connectors		
DC continuity	RF and DC	
Input to Output	RF only	
Input to Coupled Port	RF only	
Weight approx	1.2 kg (2.64 lb)	



Two section, Airline directional coupler covering wireless applications in the 800-2170 MHz band. Available with 7-16 DIN (M-F) connectors, this design offers RF power ratings of 500 Watts (3.0 kW peak). Insertion loss is less than 0.15 dB, RL is better than 25 dB, coupling is 30 dB with directivity better than 25 dB across the entire band. These couplers are ideal for antenna power monitoring applications in base station installations. Custom connectors configuration and enhanced directivity models available.

- 500 W Average Power
- Low VSWR and Loss
- High Reliability, Low PIM





P/N: AM1485DC854

