

Electrical Specifications

Frequency Range: 1.5-3.0 GHz
Insertion Loss : 0.3 dB Max.
Isolation: 20 dB Min.
Amplitude Balance: 0.2dB Max.
Phase Balance: 2.0° Max.
VSWR: 1.30:1 Max.
Input Power: 30 Watts Max.

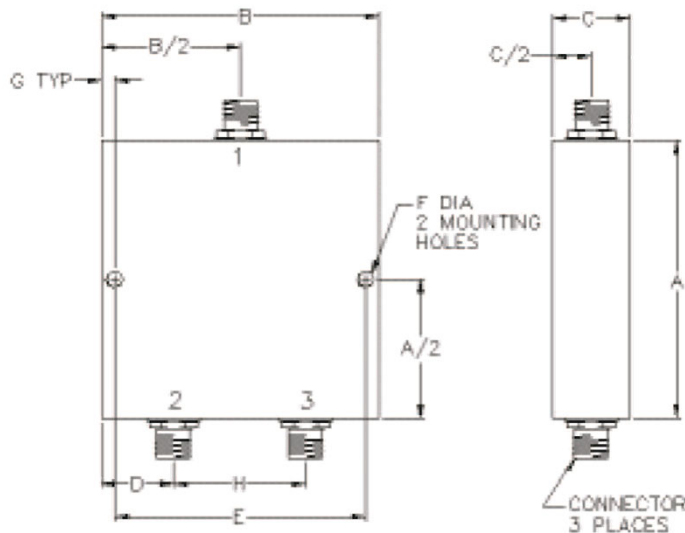
Mechanical

Mounting Method: Threaded Mounting Holes
Connector Type: N-Type (F)
Dimensions: 2.00 x 1.25 x 1.00 in.

Environmental

Operating Temperature: -40 to +80°C
Storage Temperature: -55 to +120°C
Shock: 20 G. 11 ms.
Vibration: 20 G. 5 to 200 Hz.

Outline Drawing:



A: 1.25 B: 2.00
 C: 1.00 D: 0.50
 E: 1.75 F: 0.125
 G: 0.125 H: 1.00