

## 1.5-3.0 GHz 2 Way Power Divider

Part Number: AM1500-3000PD2-929

### Electrical Specifications

**Frequency Range:** 1.5-3.0 GHz

**Insertion Loss :** 0.3 dB Max.

**Isolation:** 20 dB Min.

**Amplitude Balance:** 0.2 dB Max.

**Phase Balance:** 2.0 Max.

**VSWR:** 1.30:1 Max.

**Input Power:** 30 Watts Max.

### Mechanical

**Mounting Method:** Threaded Mounting Holes

**Connector Type:** SMA

**Dimensions:** 1.50 x 1.25 x 0.50 in.

### Environmental

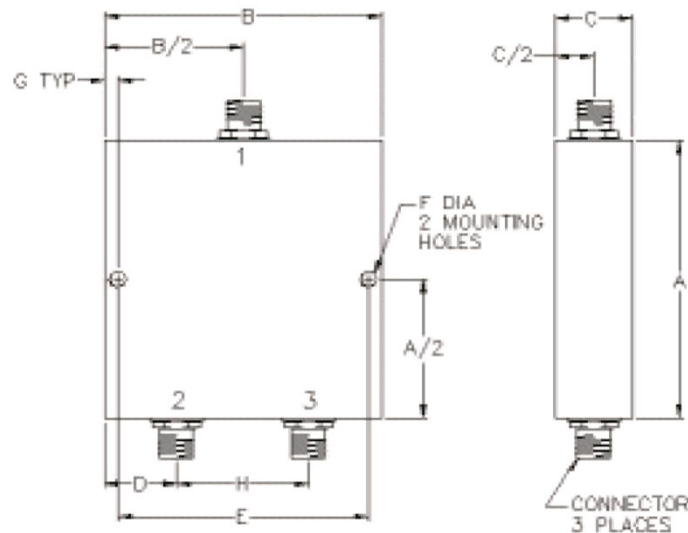
**Operating Temperature:** -40 to +80°C

**Storage Temperature:** -55 to +120°C

**Shock:** 20 G. 11 ms.

**Vibration:** 20 G. 5 to 200 Hz.

### Outline Drawing:



A: 1.25	B: 1.50
C: 0.50	D: 0.48
E: 1.30	F: 0.125
G: 0.100	H: 0.55