

Electrical Specifications

Frequency Range: 1700-1900 MHz

Coupling: 30±0.5

Insertion Loss: 0.15 dB Max.

Frequency Sensitivity: 0.3dB Max.

Directivity: 25 dB Min.

VSWR: 1.20:1 max

Impedance: 50 Ohms

Average Power: 200 Watt Max.

Mechanical

Mounting Method: Thru Mounting Holes

Connector Type: Input DIN 7/16 (F),
Output DIN 7/16 (M), CPL Port N-Type (F)

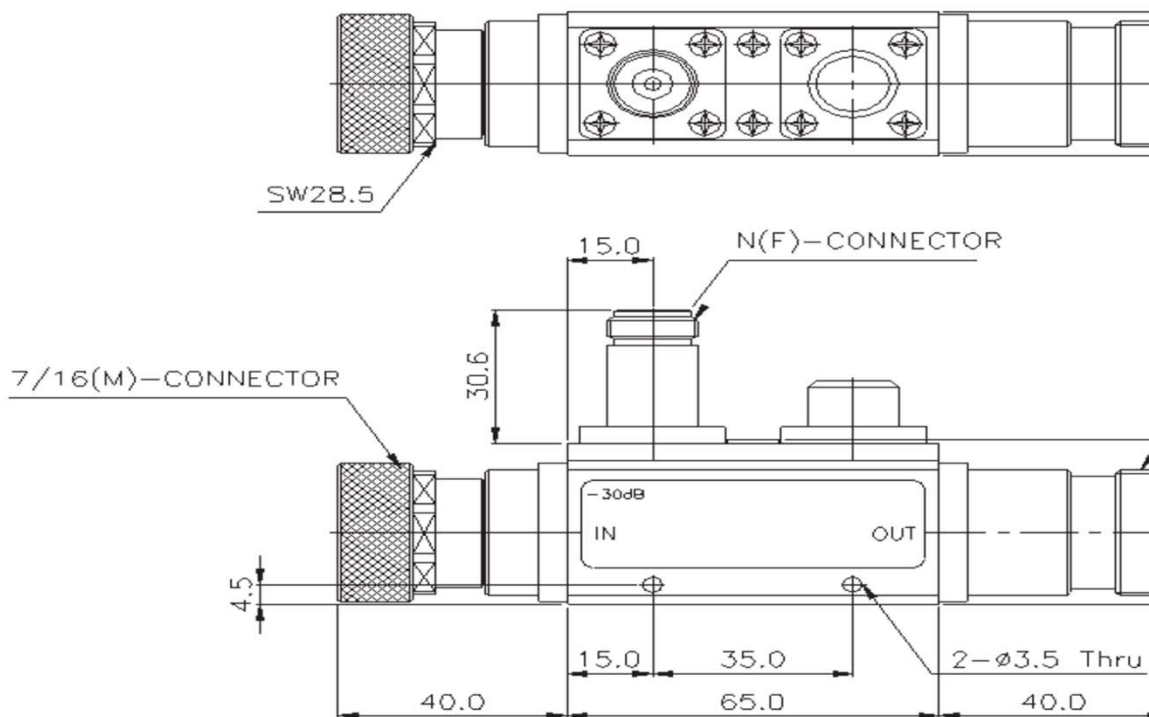
Dimensions: 145 x 33 x 38 mm

Environmental

Operating Temperature: -20 to 60° C

Storage Temperature: -55 to +100° C

Outline Drawing:



Response Plots:

