

Electrical Specifications

Frequency Range: DC ~ 18.0 GHz
Impedance: 50 Ohms
VSWR: 1.25:1
RF Power: 2 Watts

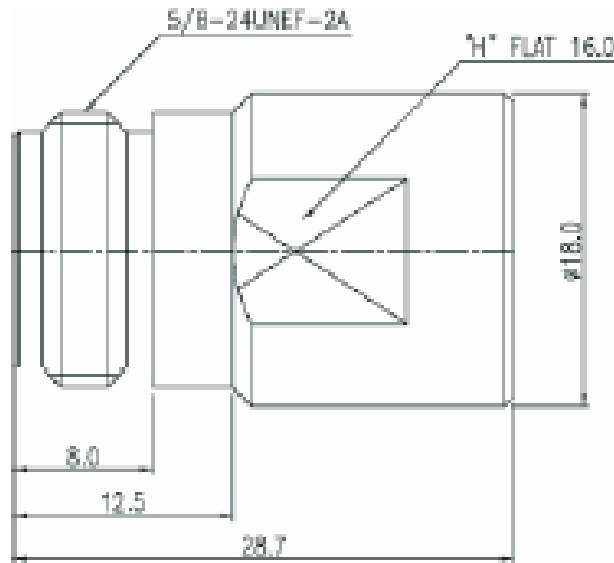
Mechanical

Connector Type: N-Type Female
Dimensions: 28.7 x ϕ 18.0 mm

Environmental

Operating Temperature: -55°C ~ 125°C

Outline Drawing:



18000 MHz Terminator

Part Number: AM18000T002-NF

Test Data:

