

**Electrical Specifications**

**Frequency Range:** 2.0-18.0 GHz  
**Insertion Loss :** 1.0 dB Max.  
**Isolation:** 18 dB Min.  
**Amplitude Balance:** 0.4 dB Max.  
**Phase Balance:** 5.0 Max.  
**VSWR:** 1.40:1 Max.  
**Input Power:** 30 Watt Max.

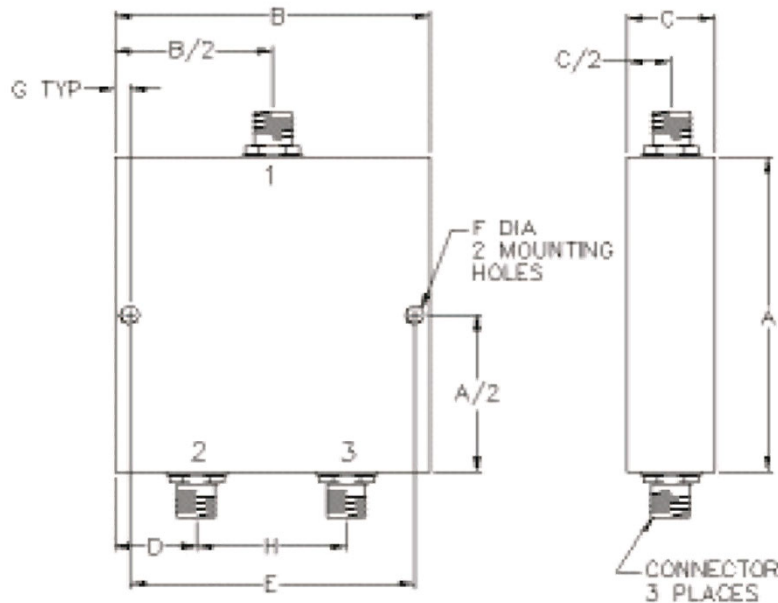
**Mechanical**

**Mounting Method:** Threaded Mounting Holes  
**Connector Type:** SMA  
**Dimensions:** 1.05 x 1.80 x 0.40 in.

**Environmental**

**Operating Temperature:** -40 to +85°C  
**Storage Temperature:** -55 to +95°C  
**Shock:** 20 G. 11ms  
**Vibration:** 20 G. 5 to 200 MHz

**Outline Drawing:**



A: 1.80	B: 1.05
C: 0.40	D: 0.25
E: 0.90	F: 0.100
G: 0.75	H: 0.50