

**Electrical Specifications**

**Frequency Range:** 2.0-4.0 GHz

**Insertion Loss :** 0.7 dB Max.

**Isolation:** 16 dB Min.

**Phase Balance:** 10° Max.

**Amplitude Balance:** 0.4 dB Max.

**VSWR:** 1.50:1 Max.

**Mechanical**

Mounting Method: Threaded Mounting Holes

Connector Type: SMA Female

Dimensions: 3.20 x 1.50 x 0.51 in.

**Environmental**

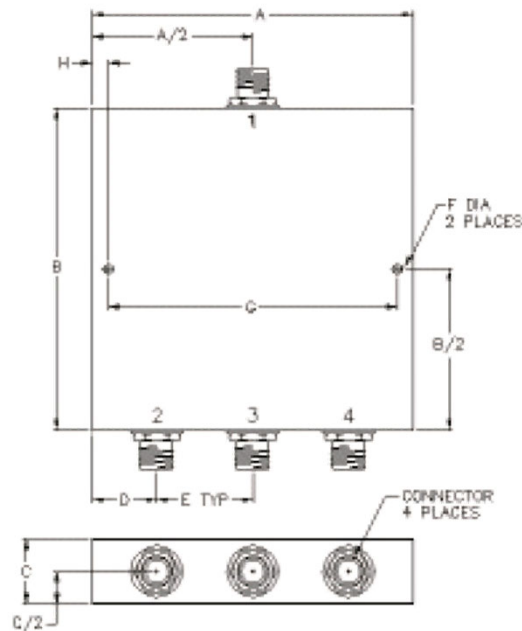
**Operating Temperature:** -40 to +85°C

**Storage Temperature:** -55 to +95°C

Shock: 20 G. 11ms

Vibration: 20 G. 5 to 200 MHz.

**Outline Drawing:**



A: 3.20    B: 1.50  
C: 0.51    D: .125  
E: .59    F: .125  
G: 1.25