

250-500 MHz 2 Way Power Divider

Part Number: AM250-500PD2-905

Electrical Specifications

Frequency Range: 250-500 MHz

Insertion Loss: 0.3 dB Max.

Isolation: 20 dB Min.

Amplitude Balance: 0.3 dB Max.

Phase Balance: 5° Max.

VSWR: 1.30:1 Max.

Power Rating: 100 Watts Max.

Mechanical

Mounting Method: Threaded Mounting Holes

Connector Type: N-Type

Dimensions: 4.00 x 3.90 x 1.00 in.

Environmental

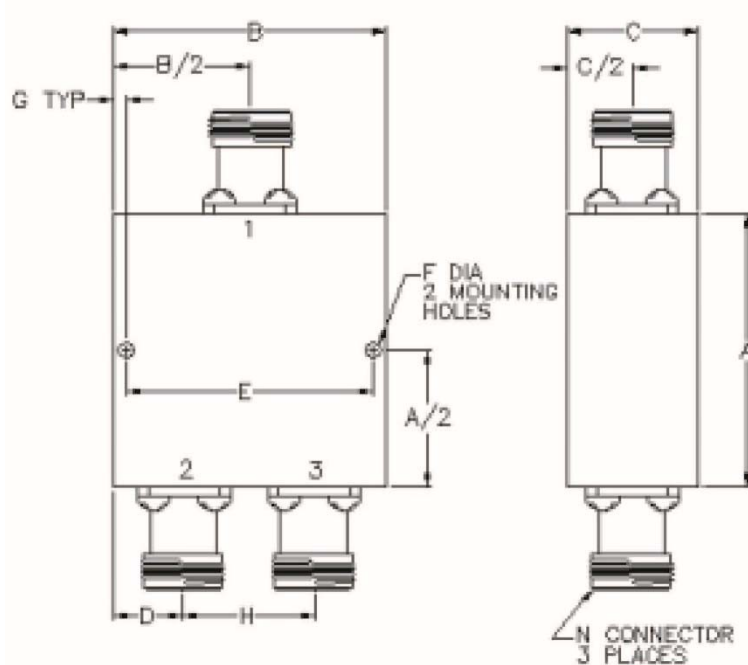
Operating Temperature: -40 to +85°C

Storage Temperature: -55 to +125°C

Shock: 20 G. 11 ms.

Vibration: 20 G. 5 to 200 Hz.

Outline Drawing:



A: 3.90	B: 4.00
C: 1.00	D: 1.50
E: 3.60	F: 0.15
G: 0.20	H: 1.00