

Electrical Specifications

Frequency Range: 3.625-4.25 GHz
Insertion Loss : 0.3 dB Max.
Isolation: 21 dB Min.
Amplitude Balance: 0.2dB Max.
Phase Balance: 2.0° Max.
VSWR: 1.35:1 Max.
Input Power: 30 Watt Max.

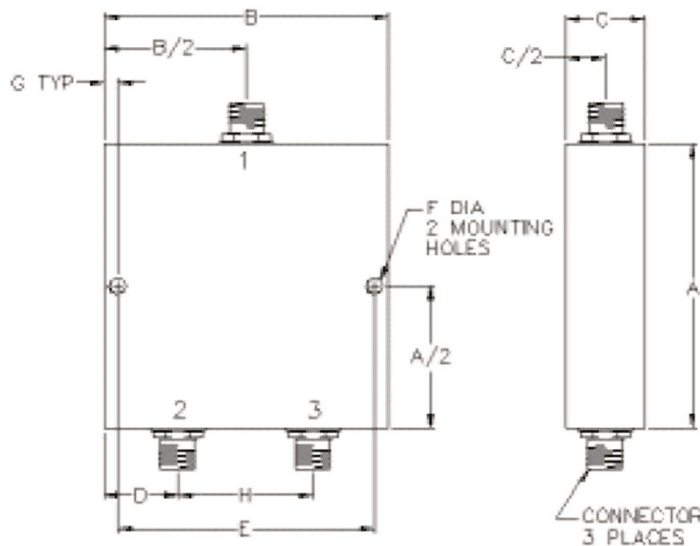
Mechanical

Mounting Method: Threaded Mounting Holes
Connector Type: N-Type
Dimensions: 2.00 x 1.25 x 1.00 in.

Environmental

Operating Temperature: -40 to +85°C
Storage Temperature: -55 to +95°C
Shock: 20 G. 11ms
Vibration: 20 G. 5 to 200 MHz.

Outline Drawing:



A: 1.25	B: 2.00
C: 1.00	D: 0.50
E: 1.75	F: 0.125
G: 0.125	H: 1.00