

### Electrical Specifications

**Frequency Range:** 380-2500 MHz  
**Insertion Loss:** 3.01dB (50%)  
**Dissipative Loss:** 2500 MHz; 0.2 dB Max.  
**Amplitude Balance:**  $\pm 0.25$  dB Max.  
**Input VSWR:**  $<1.2$  ( $>20.8$  dB)  
**Impedance:** 50 Ohms  
**Intermodulation IM3:**  
 (2 x 43 dBm carrier)  $<-150$  dBc  
**Max. Power:** 500 W AVE, 3KW Peak  
 (at 20 °C ambient temperature)  
**Power Rating:** 1 Watt Max.

### Mechanical

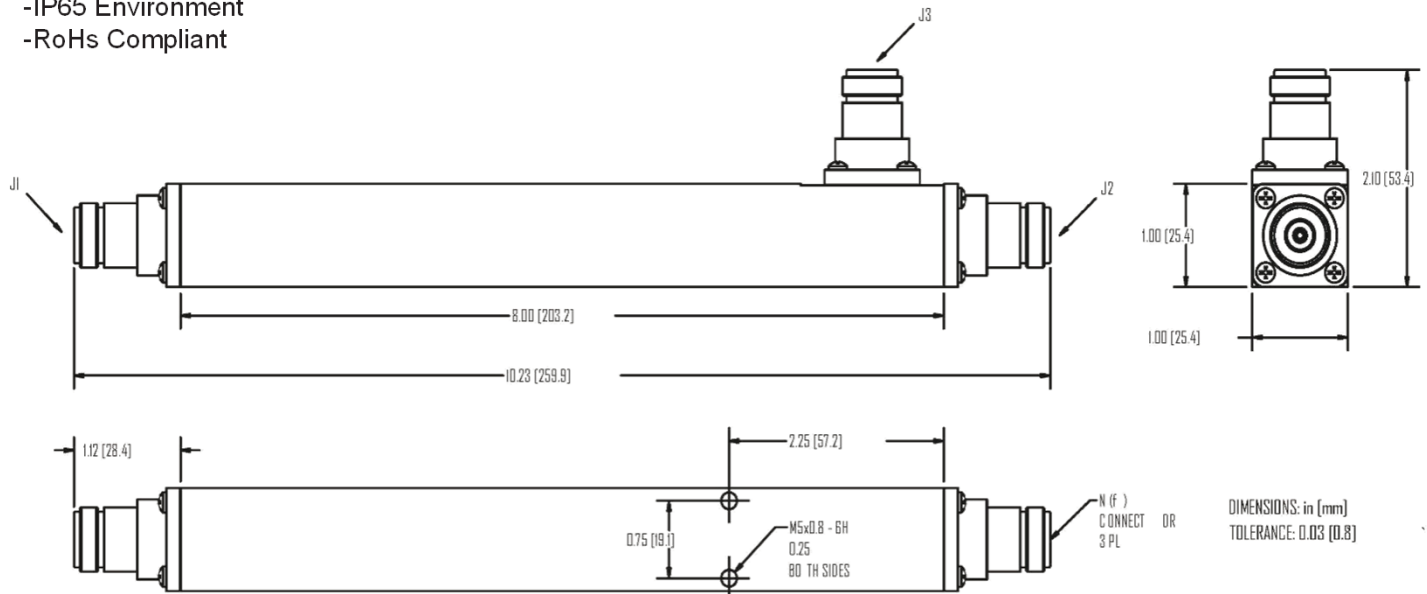
**Mounting Method:** Threaded Mounting Holes  
**Connector Type:** N-Type (F), flange with O-ring  
**Dimensions:** 8.00 x 3.00 x 1.00 in.  
**Weight (approx.):** 0.39 kg (0.87 lb)

### Environmental

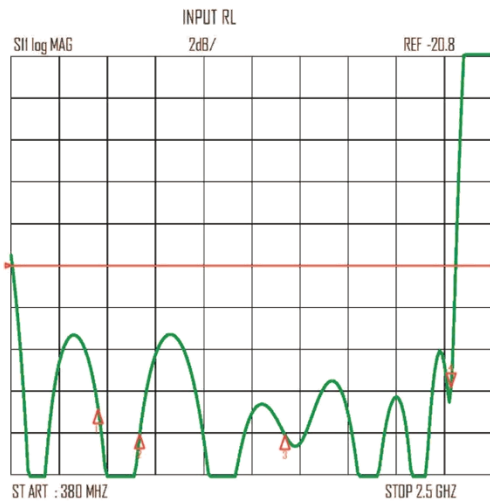
**Operating Temperature:** -40 to +85°C  
**Storage Temperature:** -55 to +125°C  
**Shock:** 20 G. 11 ms.  
**Vibration:** 20 G. 5 to 200 Hz.

### Outline Drawing:

- Airline Coaxial Structure
- Wide Band, 380-2500 MHz operation
- High Power, Low Loss and PIM
- Rugged, Flange Mount Connectors with O-Ring
- IP65 Environment
- RoHs Compliant



### Response Plots:



M1: 800 MHZ  
M2: 1 GHZ  
M3: 1.7 GHZ  
M4: 2.5 GHZ

