

Electrical Specifications

Frequency Range: 380 - 2700 MHz

Coupling:

380-500 MHz; 6 +2, -0.25 dB

501-2700 MHz; 6 ±0.5dB

Dissipative:

0.2 dB

0.3 dB

Incl. coupling:

1.0 dB

1.55 dB

Directivity: 20 dB Min.

Return Loss (Main line / coupled Port): 23 dB Min.

PIM Two (2) 30 dBm tones input: -110 dBm

RF Power: 100 Watts

Internal termination: 5 Watts

Mechanical

Mounting Method: Thru Holes

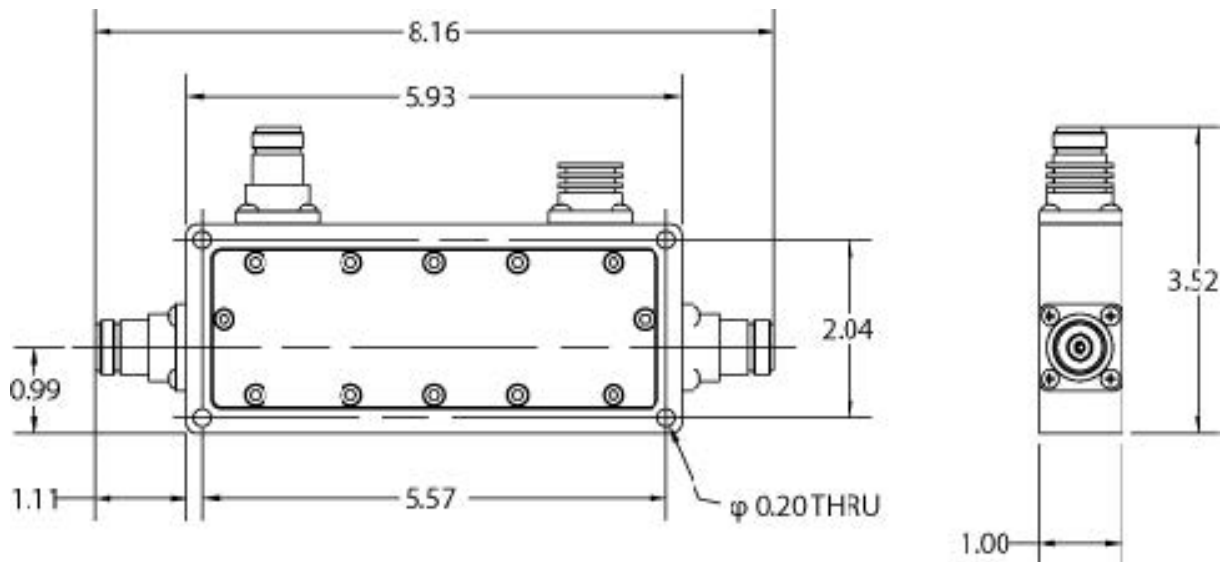
Connector Type: N-Type (F), high torque

Dimensions: 4.0 x 3.0 x 1.50 inches

Environmental

Operating Temperature: -10° C to +50° C

Outline Drawing:



Response Plots:

