

Electrical Specifications

Frequency Range: 380 - 500 MHz
Coupling: 30 +/- 1 dB
Insertion Loss: 500 MHz; 0.07 dB. Max.
Directivity: 25 dB Min.
VSWR (and Return Loss):
 Input and Output; 1.12 (25 dB)
 Coupled Port; 1.3 (17.7 dB)
Impedance: 50 Ohm
Intermodulation IM3
(2 x 43 dBm carrier): < -150 dBc
Max. Power: 300 W AVE, 3KW Peak
 (at 20 °C ambient temperature)
Termination Max. Power: 3 W AVE

Mechanical

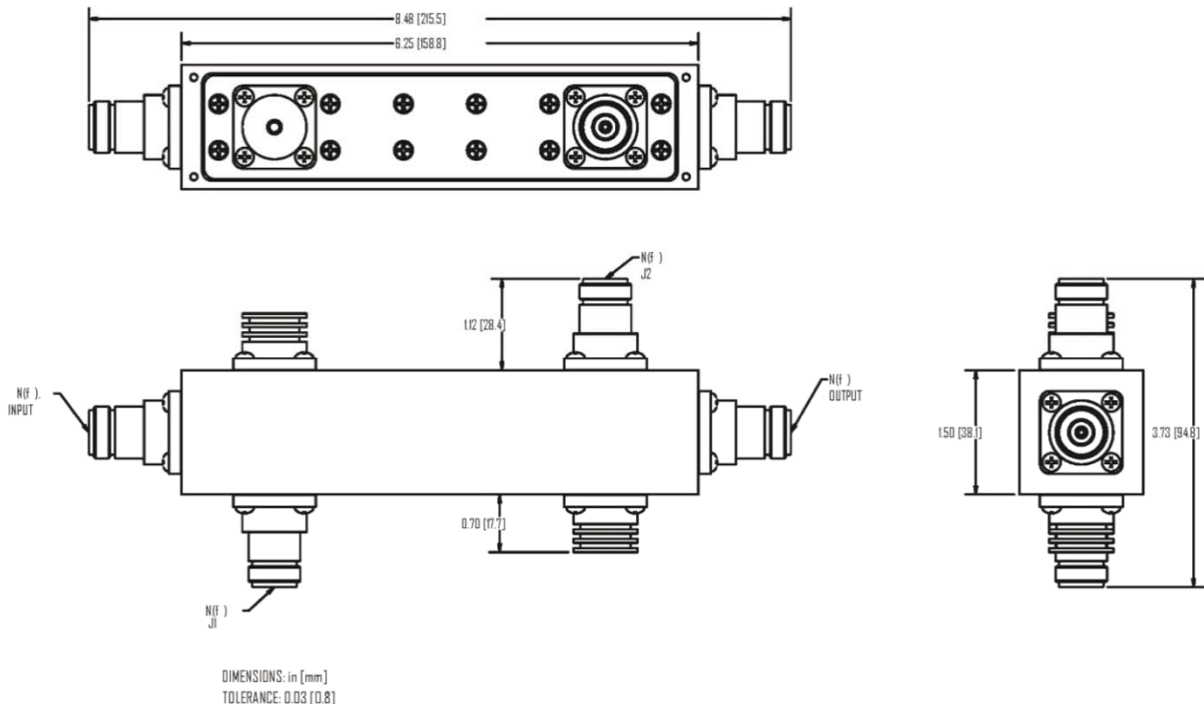
Mounting Method: Surface Mount
Connector: N (F), flange with O-ring
Dimensions: 6.25 x 1.50 x 1.50 inches
Weight: 1.2 kg (2.64 lb)

Environmental

Operating Temperature: -40 to 85° C
Storage Temperature: -55 to +100° C

Outline Drawing:

- 300 W Average Power
- Low VSWR and Loss
- High Reliability, Low PIM
- Custom connectors configuration



Response Plot:

