

Electrical Specifications

Frequency Range: 4.0-27.0 GHz

Insertion Loss : 1.0 dB Max.

Isolation: 18 dB Min.

Amplitude Balance: 0.5 dB Max.

Phase Balance: 6.0° Max.

VSWR: 1.60:1 Max.

Input Power: 10 Watt Max.

Mechanical

Mounting Method: Threaded Mounting Holes

Connector Type: SMA

Dimensions: 1.04 x 0.80 x 0.38 in.

Environmental

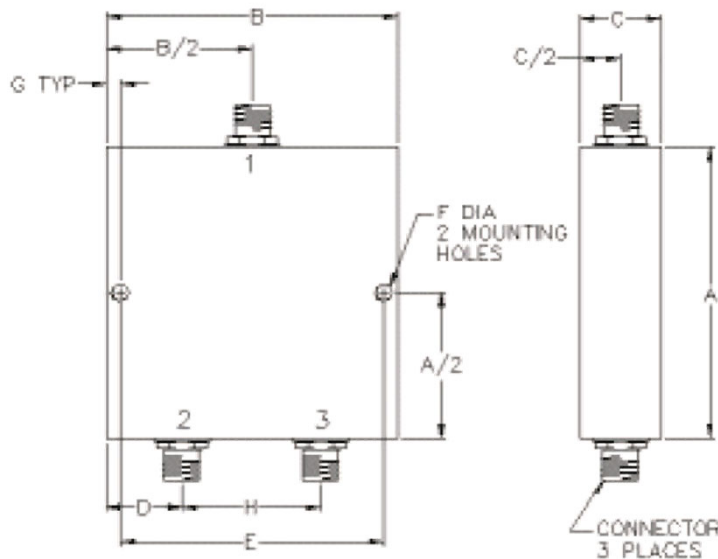
Operating Temperature: -40 to +85°C

Storage Temperature: -55 to +95°C

Shock: 20 G. 11ms

Vibration: 20 G. 5 to 200 MHz

Outline Drawing:



A: 0.80	B: 1.04
C: 0.38	D: 0.27
E: 0.80	F: 0.125
G: 0.12	H: 0.50