

**Electrical Specifications**

**Frequency Range:** 4.0-40.0 GHz

**Insertion Loss:** 2.0 dB Max.

**Isolation:** 13 dB Min.

**Amplitude Balance:** 1.0 dB Max.

**Phase Balance:** 10.0 Max.

**VSWR:** 1.90:1 Max.

**Input Power:** 10 Watt Max.

**Mechanical**

**Mounting Method:** Threaded Mounting Holes

**Connector Type:** SMA

(2.92 mm connectors are used on this model)

**Dimensions:** 1.04 x 0.80 x 0.38 in.

**Environmental**

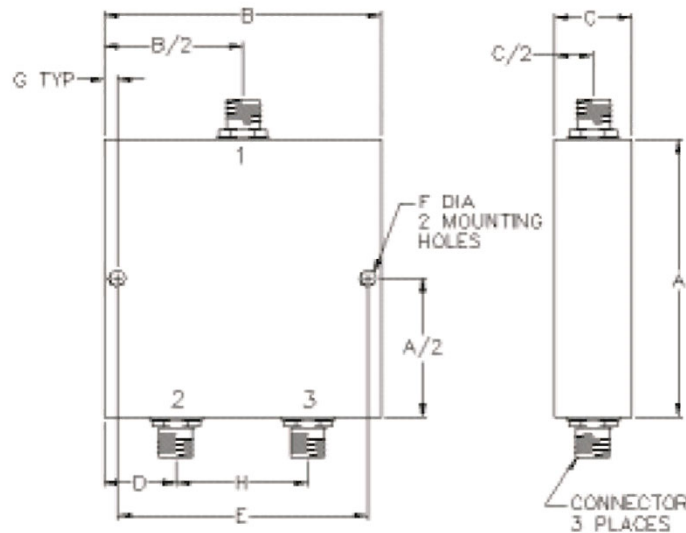
**Operating Temperature:** -40 to +85°C

**Storage Temperature:** -55 to +95°C

**Shock:** 20 G. 11ms

**Vibration:** 20 G. 5 to 200 MHz

**Outline Drawing:**



A: 0.80	B: 1.04
C: 0.38	D: 0.27
E: 0.80	F: 0.125
G: 0.12	H: 0.50