

Electrical Specifications

Frequency Range: 0.5-18.0 GHz

Insertion Loss : 4 dB Max.

Isolation: 16 dB Min.

Amplitude Balance: 0.5 dB Max.

Phase Balance: 8° Max.

VSWR: 1.60:1 Max.

Input Power: 30 Watt Max.

Mechanical

Mounting Method: Thru Holes

Connector Type: SMA

Dimensions: 2.95 x 6.25 x 0.50 in.

Environmental

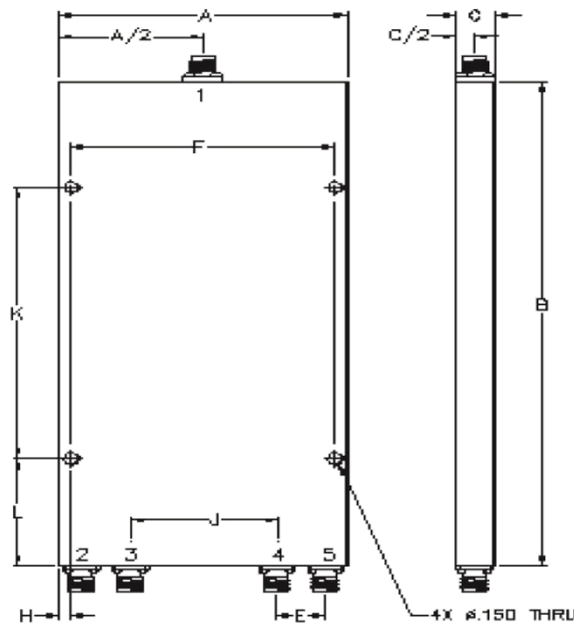
Operating Temperature: -40 to +85°C

Storage Temperature: -55 to +95°C

Shock: 20 G. 11ms

Vibration: 20 G. 5 to 200 MHz

Outline Drawing:



Dimensions:

A: 2.95	B: 6.25
C: .50	D: .25
E: .50	F: 2.70
G: .150	H: .125
J: 1.50	K: 3.50
L: 1.25	