

Electrical Specifications

Frequency Range: 0.5-20 GHz

Coupling: 10 ± 1.2 dB

Insertion Loss: 1.6 dB Max

Directivity: 12 dB Min

VSWR: 1.6:1 max

Impedance: 50 Ohms In/Out

Power Handling: 30 W

Mechanical

Connector Type: SMA (F)

Dimensions: 4.48 x 0.59 x 0.43 in.

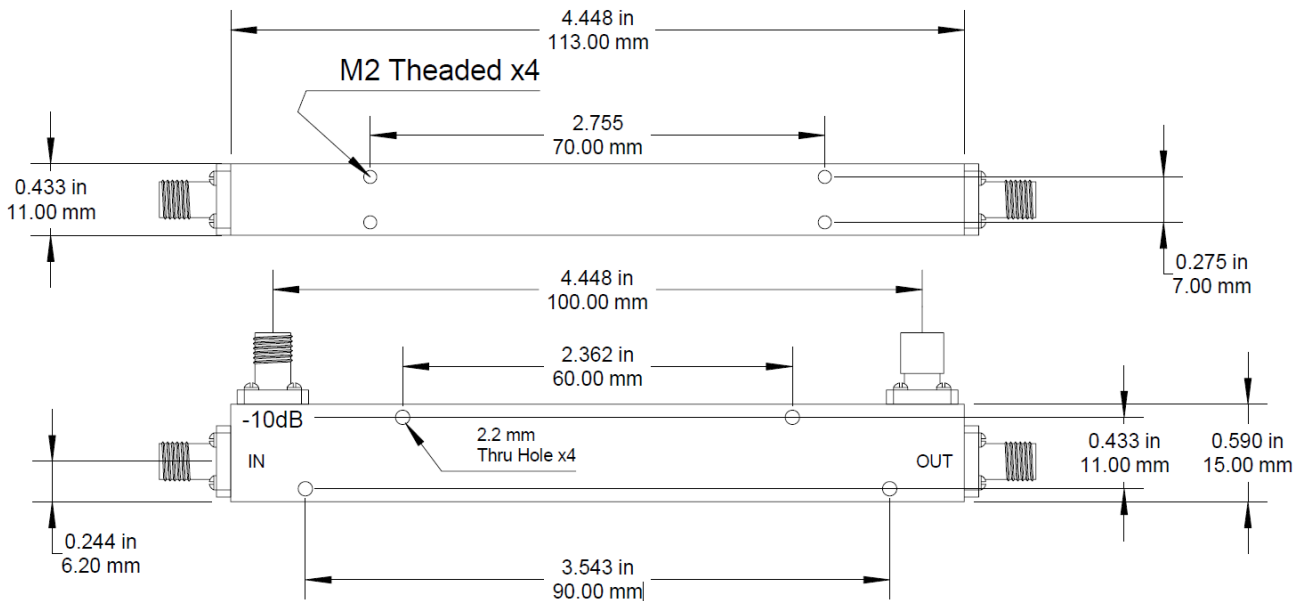
113 x 15 x 11 mm

Environmental

Operating Temperature: -40 to 80° C

Storage Temperature: -55 to +85° C

Outline Drawing:



DS-DC1410-03062023-Rev0