

Electrical Specifications

Frequency Range: 500-2000 MHz
Coupling: 10 ± 1.0 dB
Insertion Loss: 0.9 dB Max.
Coupling Flatness: ± 1.0 dB Max.
Directivity: 20 dB Min.
VSWR: 1.25:1 max
Input Power: 50 Watts Max.
Reverse Power: 3 Watts max.
Impedance : 50 ohms

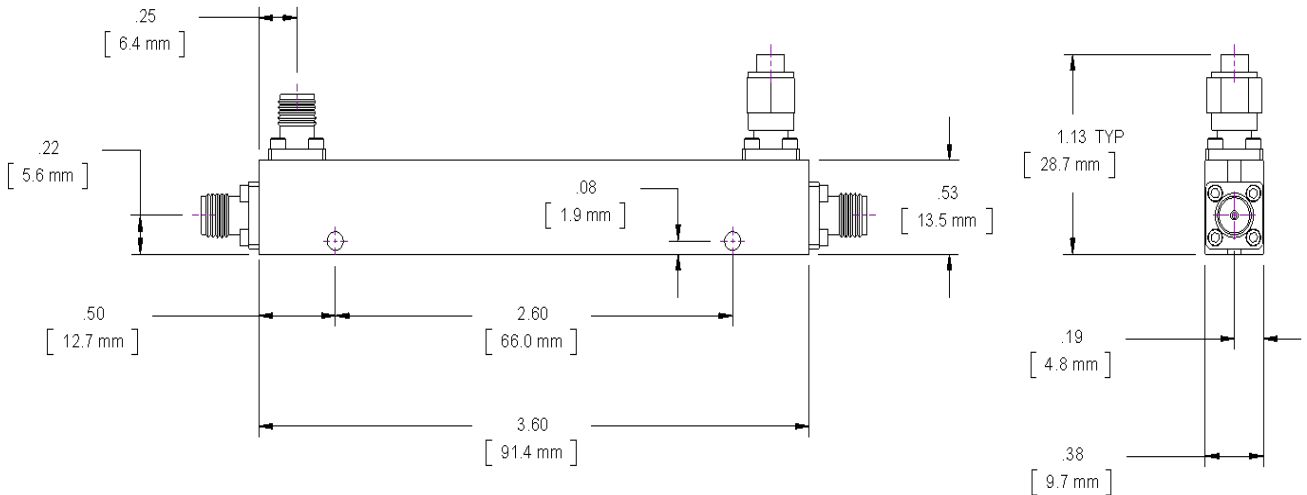
Mechanical

Connector Type: SMA(F)
Dimensions: 3.6 x 0.38 x 0.53 in.

Environmental

Operating Temperature: -45°C to +85°C
Storage Temperature: -55°C to +100°C

Outline Drawing:



UNLESS OTHERWISE SPECIFIED: Dimensions are in inches, [mm] shown for convenience.
 Tolerances on 2-pl decimals: $\pm .03$. 3-pl decimals: $\pm .015$. Angles: $\pm 1^\circ$.

Response plots:

