

0.50-2.0 GHz 2 Way Power Divider

Part Number: AM500-2000PD2-922

Electrical Specifications

Frequency Range: 0.50-2.0 GHz

Insertion Loss: 0.6 dB Max.

Isolation: 18 dB Min.

Amplitude Balance: 0.2 dB Max.

Phase Balance: 4° Max.

VSWR: 1.40:1 Max.

Power Rating: 30 Watts Max.

Mechanical

Mounting Method: Threaded Mounting Holes

Connector Type: N-Type

Dimensions: 2.10 x 2.10 x 1.00 in.

Environmental

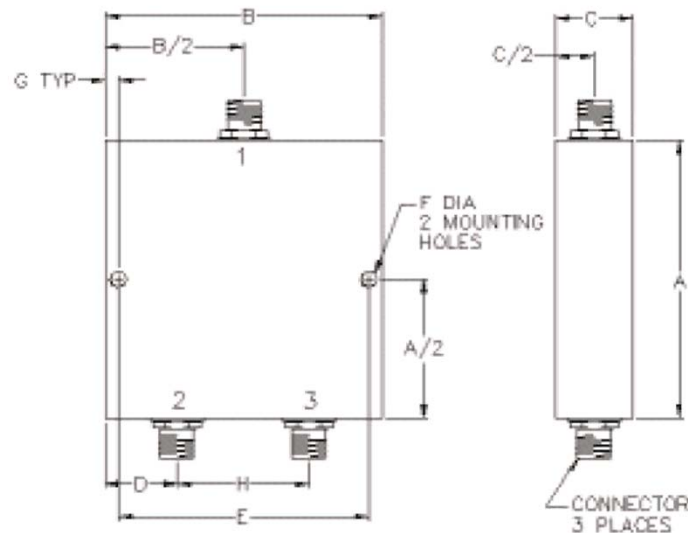
Operating Temperature: -40 to +85°C

Storage Temperature: -55 to +125°C

Shock: 20 G. 11 ms.

Vibration: 20 G. 5 to 200 Hz.

Outline Drawing:



A: 2.10	B: 2.10
C: 1.00	D: 0.55
E: 1.90	F: 0.125
G: 0.10	H: 1.00