

0.5-2.0 GHz 3 Way Power Divider

Part Number: AM500-2000PD3-1052

Electrical Specifications

Frequency Range: 0.5-2.0 GHz
Insertion Loss: 0.6 dB Max.
Isolation: 17 dB Min.
Amplitude Balance: 0.4 dB Max.
Phase Balance: 7° Max.
VSWR: 1.40:1 Max.
Power Rating: 1 Watt Max.

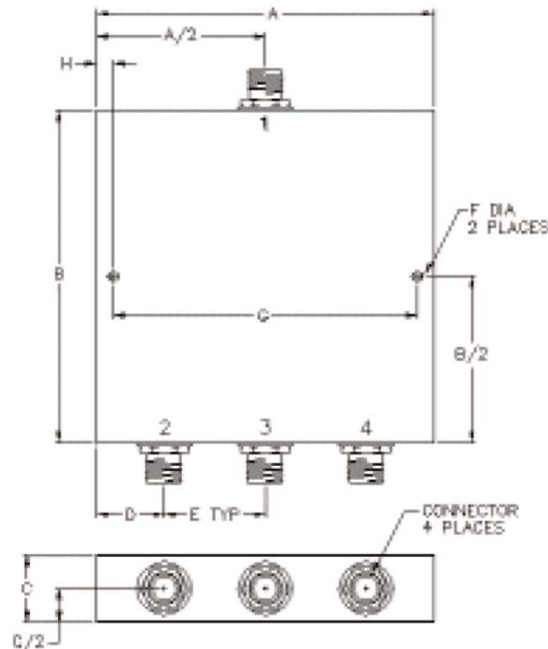
Mechanical

Mounting Method: Threaded Mounting Holes
Connector Type: SMA
Dimensions: 2.00 x 4.00 x 0.50 in.

Environmental

Operating Temperature: -40 to +85°C
Storage Temperature: -55 to +125°C
Shock: 20 G. 11 ms.
Vibration: 20 G. 5 to 200 Hz.

Outline Drawing:



A: 2.00 B: 4.00
 C: 0.50 D: 0.50
 E: 0.50 F: .150
 G: 1.75 H: 0.12