

Electrical Specifications

Frequency Range: 0.5-6.0 GHz
Insertion Loss : 1.5 dB Max.
Isolation: 17 dB Min.
Amplitude Balance: 0 .5 dB Max.
Phase Balance: 8° Max.
VSWR: 1.60:1 Max.
Input Power: 30 Watt Max.

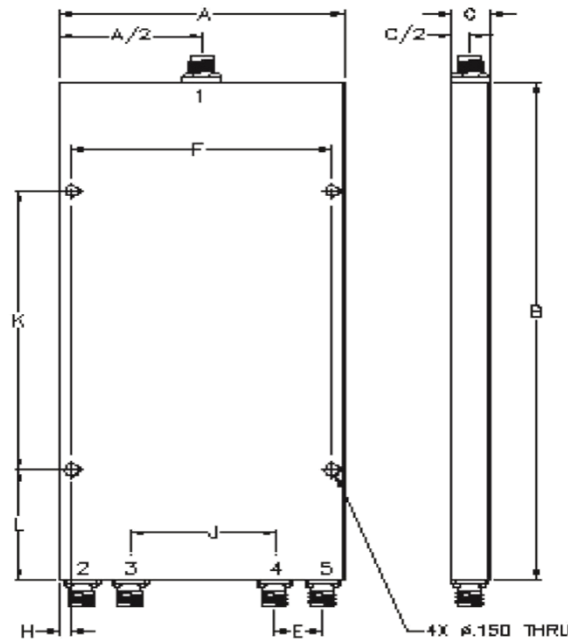
Mechanical

Mounting Method: Thru Holes
Connector Type: SMA
Dimensions: 2.95" x 6.25" x 0.50" in.

Environmental

Operating Temperature: -40 to +85°C
Storage Temperature: -55 to +95°C
Shock: 20 G. 11ms
Vibration: 20 G. 5 to 200 MHz.

Outline Drawing:



Dimensions:

A: 2.95	B: 6.25
C: .50	D: .25
E: .50	F: 2.70
G: .150	H: .125
J: 1.50	K: 3.50
L: 1.25	