

0.5-8.0 GHz 2 Way Power Divider

Part Number: AM500-8000PD2-938

Electrical Specifications

Frequency Range: 0.5-8.0 GHz
Insertion Loss : 1.0 dB Max.
Isolation: 18 dB Min.
Amplitude Balance: 0.5dB Max.
Phase Balance: 5.0° Max.
VSWR: 1.50:1 Max.
Input Power: 30 Watt Max.

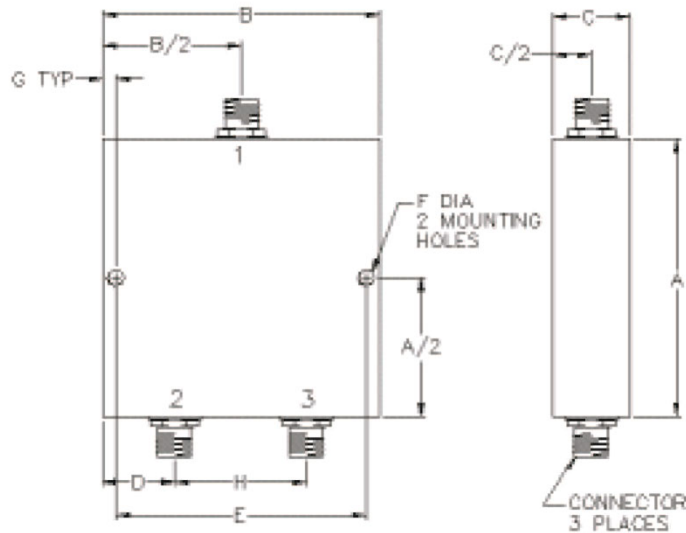
Mechanical

Mounting Method: Threaded Mounting Holes
Connector Type: SMA
Dimensions: 1.00 x 5.90 x 0.40 in.

Environmental

Operating Temperature: -40 to +85°C
Storage Temperature: -55 to +95°C
Shock: 20 G. 11ms
Vibration: 20 G. 5 to 200 MHz.

Outline Drawing:



A: 5.90	B: 1.00
C: 0.40	D: 0.25
E: 0.80	F: 0.125
G: 0.10	H: 0.50