

Electrical Specifications

Frequency Range: 5.0-18.0 GHz
Insertion Loss : 0.5 dB Max.
Isolation: 17 dB Min.
Amplitude Balance: 0.4dB Max.
Phase Balance: 5.0° Max.
VSWR: 1.40:1 Max.
Input Power: 30 Watt Max

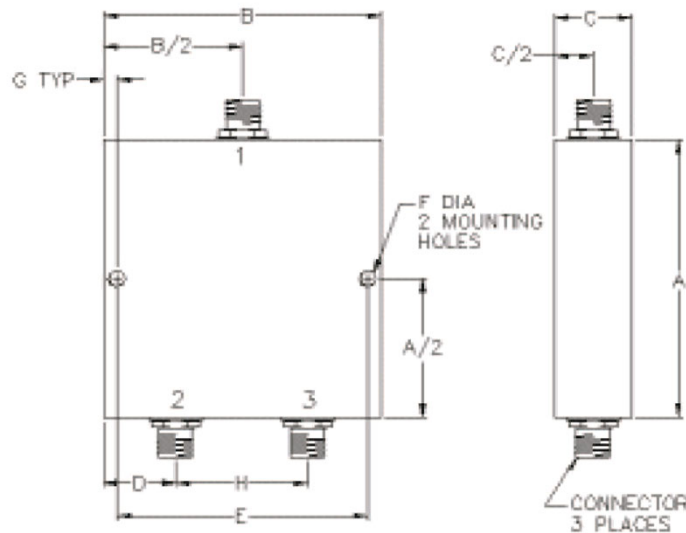
Mechanical

Mounting Method: Threaded Mounting Holes
Connector Type: SMA
Dimensions: 1.04 x 0.80 x 0.38 in.

Environmental

Operating Temperature: -40 to +85°C
Storage Temperature: -55 to +95°C
Shock: 20 G. 11ms
Vibration: 20 G. 5 to 200 MHz

Outline Drawing:



A: 0.80	B: 1.04
C: 0.38	D: 0.27
E: 0.80	F: 0.125
G: 0.12	H: 0.50