

## 5.8-6.45 GHz 2 Way Power Divider

Part Number: AM5800-6450PD2-936

### Electrical Specifications

**Frequency Range:** 5.8-6.45 GHz  
**Insertion Loss:** 0.3 dB Max.  
**Isolation:** 21 dB Min.  
**Amplitude Balance:** 0.2 dB Max.  
**Phase Balance:** 2° Max.  
**VSWR:** 1.30:1 Max.  
**Power Rating:** 30 Watts Max.

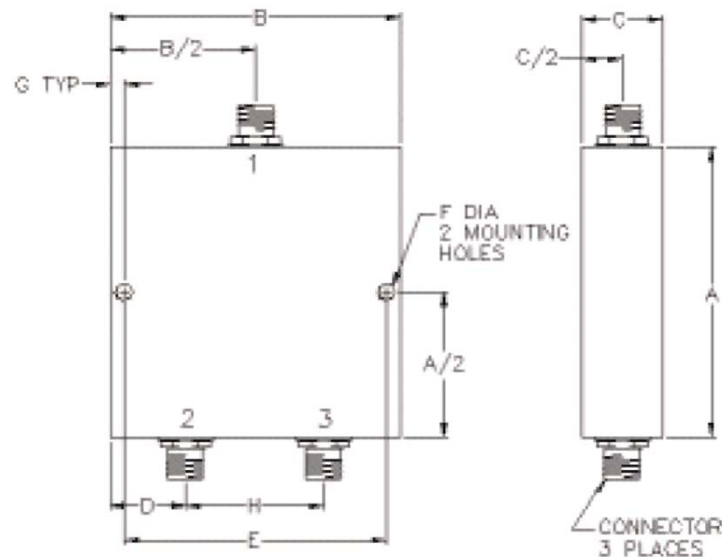
### Mechanical

**Mounting Method:** Threaded Mounting Holes  
**Connector Type:** N-Type  
**Dimensions:** 2.00 x 1.25 x 1.00 in.

### Environmental

**Operating Temperature:** -40 to +85°C  
**Storage Temperature:** -55 to +125°C  
**Shock:** 20 G. 11 ms.  
**Vibration:** 20 G. 5 to 200 Hz.

### Outline Drawing:



A: 1.25	B: 2.00
C: 1.00	D: 0.50
E: 1.75	F: 0.125
G: 0.125	H: 1.00