

5-2400 MHz 4 Way Power Divider

Part Number: AM5800-6450PD2-937

Electrical Specifications

Frequency Range: 5.8-6.45 GHz

Insertion Loss: 0.3 dB Max.

Isolation: 20 dB Min.

Amplitude Balance: 0.2 dB Max.

Phase Balance: 2° Max.

VSWR: 1.30:1 Max.

Power Rating: 30 Watts Max.

Mechanical

Mounting Method: Threaded Mounting Holes

Connector Type: SMA

Dimensions: 1.04 x 0.80 x 0.38 in.

Environmental

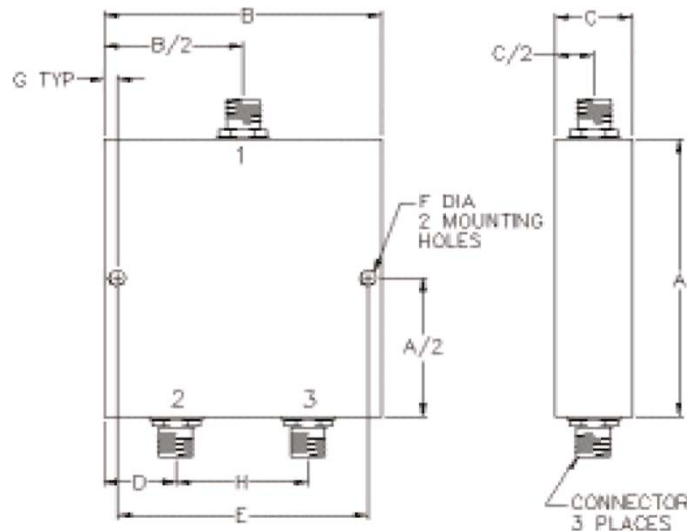
Operating Temperature: -40 to +85°C

Storage Temperature: -55 to +125°C

Shock: 20 G. 11 ms.

Vibration: 20 G. 5 to 200 Hz.

Outline Drawing:



A: 0.80	B: 1.04
C: 0.38	D: 0.27
E: 0.80	F: 0.125
G: 0.12	H: 0.50