

Electrical Specifications

Frequency Range: 800-1000 MHz

Insertion Loss: 0.6 dB Max.

Isolation: 25 dB Min.

Amplitude Balance: 0.4 dB Max.

Phase Balance: 2° Max.

VSWR: 1.40:1 Max.

Power Rating: 1 Watt Max.

Mechanical

Mounting Method: Threaded Mounting Holes

Connector Type: SMA (F)

Dimensions: 1.250 x 1.250 x 0.750 in.

Environmental

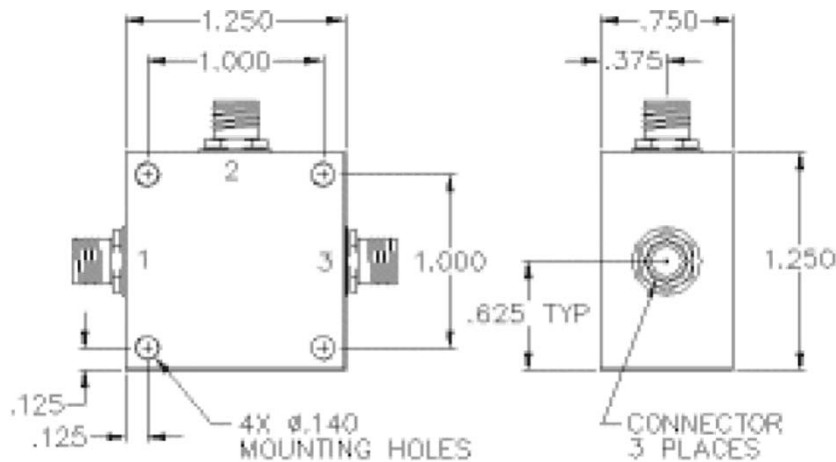
Operating Temperature: -40 to +85°C

Storage Temperature: -55 to +125°C

Shock: 20 G. 11 ms.

Vibration: 20 G. 5 to 200 Hz.

Outline Drawing:



Port Configuration

Input: 2

Outputs: 1, 3