

Electrical Specifications

Frequency Range: 800-1500 MHz
Insertion Loss: 1.6 dB Max.
Isolation: 18 dB Min.
Amplitude Balance: 0.5 dB Max.
Phase Balance: 6° Max.
VSWR: 1.50:1 Max.
Power Rating: 1 Watt Max.

Mechanical

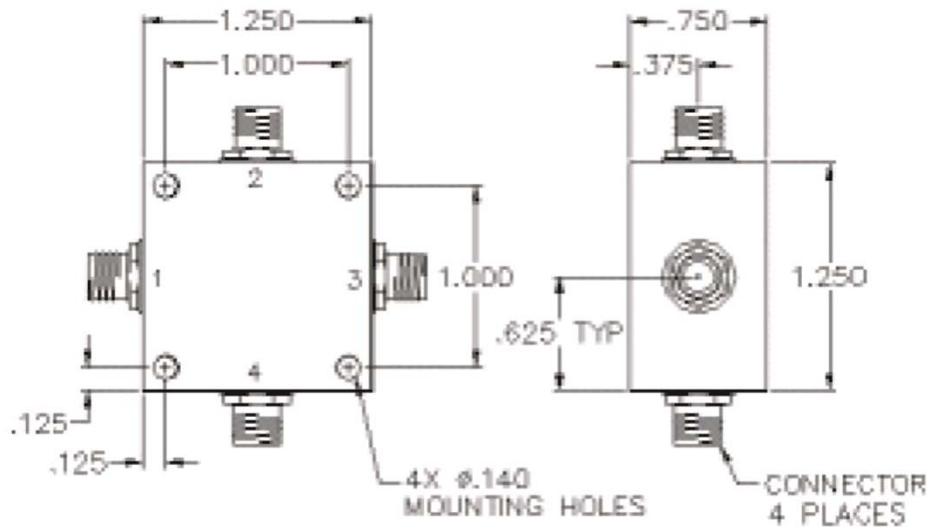
Mounting Method: Threaded Mounting Holes
Connector Type: SMA
Dimensions: 1.250 x 1.250 x 0.750 in.

Environmental

Operating Temperature: -40 to +85°C
Storage Temperature: -55 to +125°C
Shock: 20 G. 11 ms.
Vibration: 20 G. 5 to 200 Hz.

Note: Available with BNC, TNC, F, and N connectors

Outline Drawing:



Port Configuration
 Input: 1
 Outputs: 2, 3, 4
 Ground: Housing