

**Electrical Specifications**

**Frequency Range:** 0.95-1.225 GHz

**Insertion Loss:** 0.3 dB Max.

**Isolation:** 22 dB Min.

**Amplitude Balance:** 0.3 dB Max.

**Phase Balance:** 2° Max.

**VSWR:** 1.25:1 Max.

**Power Rating:** 30 Watts Max.

**Mechanical**

**Mounting Method:** Threaded Mounting Holes

**Connector Type:** N-Type

**Dimensions:** 2.00 x 1.25 x 1.00 in.

**Environmental**

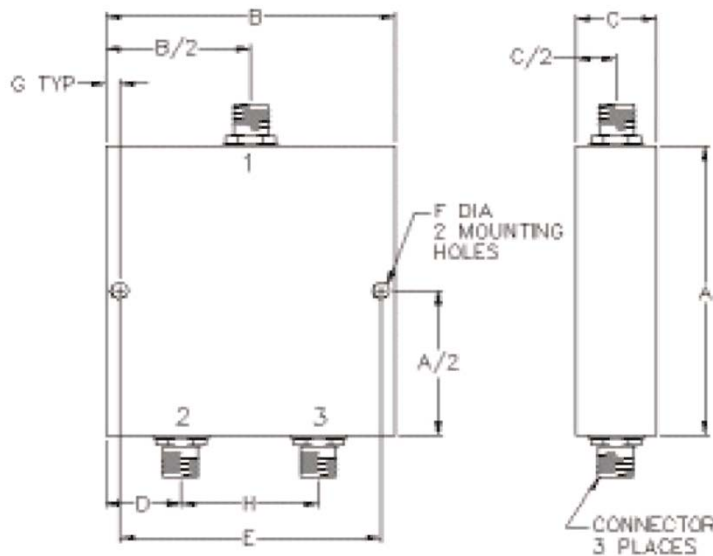
**Operating Temperature:** -40 to +85°C

**Storage Temperature:** -55 to +125°C

**Shock:** 20 G. 11 ms.

**Vibration:** 20 G. 5 to 200 Hz.

**Outline Drawing:**



A: 1.25	B: 2.00
C: 1.00	D: 0.50
E: 1.75	F: 0.125
G: 0.125	H: 1.00