

# 1.0-2.0 MHz Isolator

## Part Number: AM1000-2000IS104

### Electrical Specifications

**Frequency Range:** 1.000-2.000 GHz  
**Insertion Loss:** 0.40 dB  
**Isolation:** 18 min (dB)  
**VSWR:** 1.30 Max.  
**Power Handling:**  
**Average Power:** 150 Watts  
**Peak Power:** 750 Watts

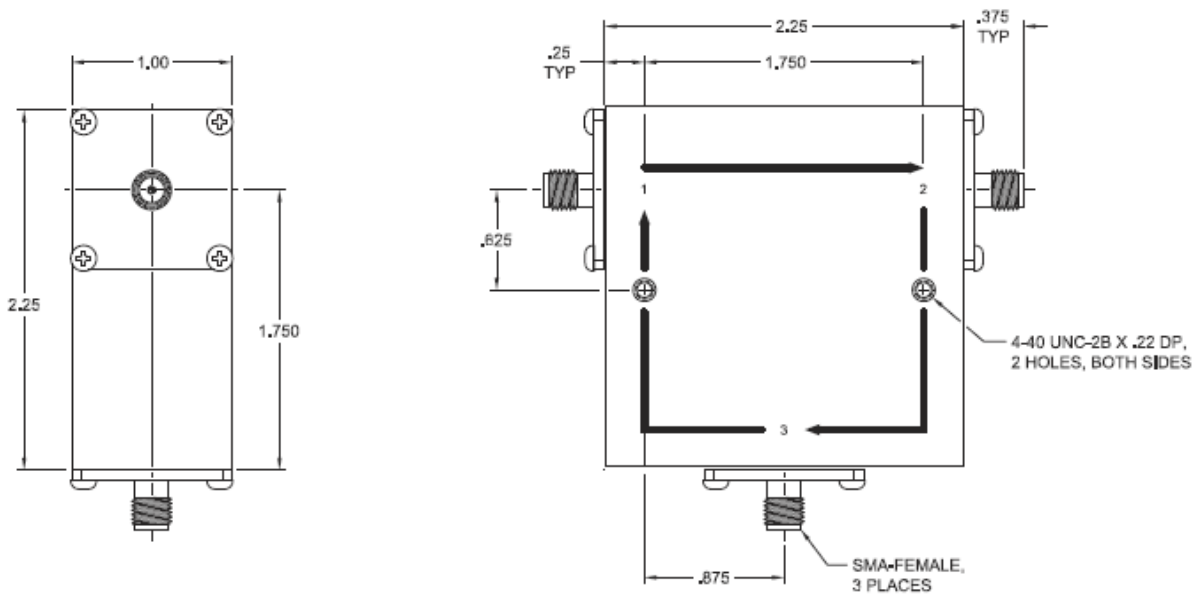
### Mechanical

**Connectors:** SMA-(F), Stainless Steel, Passivate  
**Dimensions:** 2.25 x 2.25 x 1.0 in.

### Environmental

**Operating Temperature:** -20°C to +65°C

### Outline Drawing:



### SCHEMATIC:

