

Electrical Specifications

Frequency Range: 1700-1900 MHz

Coupling: 20±0.5

Insertion Loss: 0.15 dB Max.

Frequency Sensitivity: 0.3dB Max.

Directivity: 25 dB Min.

VSWR: 1.2:1 max

Impedance: 50 Ohm

Average Power: 100 Watts Max.

Mechanical

Mounting Method: Surface Mount

Connector Type: Input/output N-Type (F),
CPL SMA (F)

Dimensions: 91.0 x 26.0 x 26.0 mm

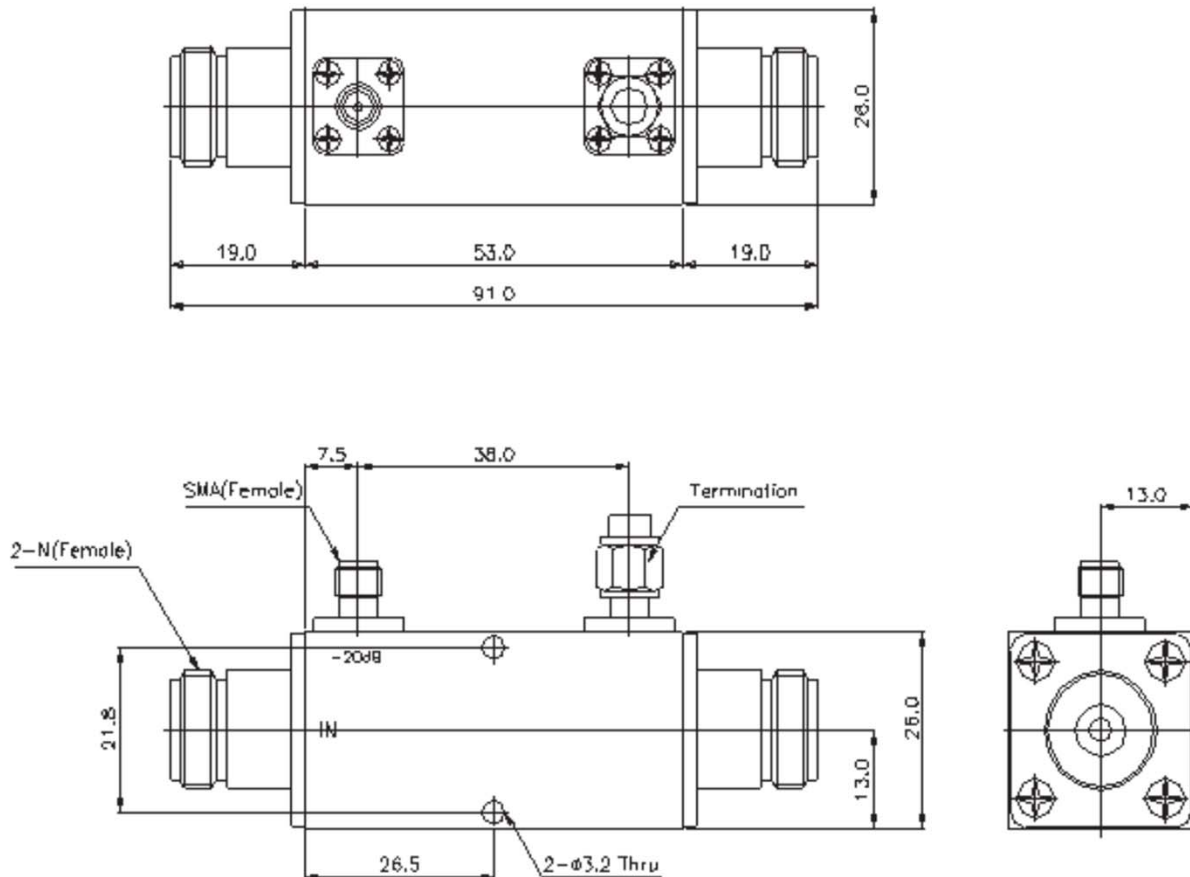
Weight: 180.0 g Max.

Environmental

Operating Temperature: -20 to 60° C

Storage Temperature: -55 to +100° C

Outline Drawing:



Response Plots:

